

THE
COLLECTION

by Michael Miller



LEADING BY DESIGN



THE COLLECTION

by Michael Miller

Beauty, warmth, a work of art... discover The Collection



When I imagine my ideal home, I imagine the perfect combination of form and function. And right at the heart of my home, a fire that impresses me with its looks, its innovation and its efficiency.

A fire is never just a fire. It's a statement of style that brings a home to life. So, we've crafted this stunning collection of unique gas fires - each of them created to offer you the highest quality and superb efficiency. They look beautiful; they work beautifully.

I'm proud of The Collection, and I have absolute confidence in the quality, reliability and durability - so much confidence, in fact, that I offer a full 25 year guarantee.

You'll find more details about our guarantee in this brochure, along with all the inspiration and information you need. I hope you enjoy choosing your new fire.



Contents

5	Introduction	7	25 year guarantee
6	High efficiency gas fires	7	Product testing and certification

THE COLLECTION GAS FIRES

8	Glimpse	14	Luxe
10	Glimpse Duplex	16	Carmelo HE
12	Glimpse Triplex		

THE COLLECTION SUITES

18	Pisano Illumia	26	Parada Illumia 58L & 54L
20	Lopez Illumia	28	Parada Illumia 54S
22	Avelli Illumia	30	Da Vinci Illumia Suite
24	Dali Illumia	32	Distinction Illumia Suite
34	Multifunctional Remote Control	37	Suite Dimensions
35	False Chimney Kits	40	Balanced Flue Installations
36	Fire Dimensions		

ONLINE VIDEO

Wherever you see this symbol, use the QR code scanner app on your smartphone or mobile device to watch a short video of this fire.

Style and efficiency... crafted in Britain

Turn the pages of this brochure, and you'll see stunning fires with the power to transform a room - fabulous open-sided models, sleek 'hole in the wall' designs and easy-to-install fires that don't need a chimney.

Each of our models starts from a design concept nurtured by our research and development team. Before we even start to manufacture, the model is assessed and approved by leading independent organisations. Each fire is then made with the utmost care in our state-of-the-art development and manufacturing site here in the UK. And only when a fire has been rigorously checked by our quality control department does it leave our hands.

Choose a fire from The Collection, and you can rest assured the beauty is more than skin-deep. Behind the sleek glass and warming flames lie technological innovation and dedicated craftsmanship, backed by a 25 year guarantee.



CRAFTED IN BRITAIN

Every gas fire in The Collection by Michael Miller range is developed and manufactured in Britain at our purpose built state-of-the-art facility in Staffordshire.



high efficiency

BFM Europe Ltd has always had a reputation as a manufacturer of some of the most efficient fires on the market. Now we are setting new industry standards with The Collection by Michael Miller range and providing exceptional heat output combined with lower running costs compared to standard gas fires.

All gas fires in this range feature a glass panel across the front of the fire which radiates the heat generated from the fuel bed directly into the room. The glass panel concentrates the radiant heat generated by the flame effect and projects it directly into the room to ensure that more heat is used to warm the room and less is lost through the chimney.

This radiant heat is combined with convected heat which is produced by cool air drawn into the fire through the heat exchanger and emitted as warm air through the gap above the canopy. This is what makes our gas fires some of the most efficient available.

Many of the fires found in this brochure have a balanced flue system, designed for those who want all the benefits of a gas fire but don't have a built in chimney or flue in their home. They work in much the same way as our conventional flue fires but come with their own flue terminal which is vented directly through an outside wall or via the roof of your home. Several of our balanced flue fires, including the Glimpse range, can be purchased with either a horizontal or vertical flue kit to give you more flexibility in the location of your fireplace.

More information about balanced flue kits can be found on page 40 to 43.

25

YEAR GUARANTEE

Every gas fire in The Collection carries a 25 year Comprehensive Guarantee providing you with reassurance and peace of mind for many years to come.

This means that we will guarantee your fire for 25 years against manufacturing and material defects, including parts and labour, subject to our 'Conditions of guarantee' including annual service and annual replacement of the oxy-pilot/thermocouple assembly.

We offer this guarantee, unlike any other gas fire manufacturer, as a sign of our commitment to the highest standards of build quality, safety and performance. In line with gas industry practice, we advise that all our gas fires are installed and serviced annually* by a Gas Safe Register engineer to ensure continued safe operation and optimum performance throughout the lifetime of the product.

* This is also a requirement of your 25 year Guarantee.

bsi.

Product Testing & Certification

All our gas fires are independently tested, approved and verified by the British Standards Institution (BSI).

The BSI is an independent organisation. They are not owned by the government, industry or shareholders, which means that they can be totally objective with regards testing and certification. This gives their assessments more authority than those of an organization that has a vested interest in promoting its members.

They have some of the most experienced and knowledgeable staff in the world and are recognised internationally for their technical expertise, quality services and in-depth knowledge of gas, electrical, oil and solid fuel product testing and certification.

The wide-ranging capability of their testing facilities and the broad expertise and knowledge of their testing and certification staff ensures our products are rigorously tested with the utmost integrity.

Glimpse

The ideal fireplace for a modern open plan home, the Glimpse is a magnificent centrepiece for the heart of your home or a beautiful, functioning room divider.

This two-sided glass fire allows you separate a large living area to create different functional spaces, such as, a dining area and a lounge area, whilst still maintaining an open plan feel as you can see straight through the fire to the other part of the room.

The Glimpse features a zigzag burner which creates a stunning dancing flame picture which is further enhanced by the log fuel effect and dazzling glowing embers. It even comes with built in, fully dimmable halogen lighting which can be used with or without the fire being lit.

This balanced flue gas fire can be purchased with a choice of horizontal or vertical flue kit so can be installed almost anywhere in the room. Installation of the appliance is made easier and more flexible with two flue outlet positions, integrated adjustable legs and the option to purchase a false chimney kit consisting of metal studwork which can be clad with the fitters' choice of high temperature board.* (see page 35 for further details).

ENGINE

Model Glimpse

Safety Flame Supervision Device

Gas type Natural Gas

Flue type Balanced Flue

(Horizontal & Vertical Kits available - see pages 40-43)

Control type Multifunctional Remote Control (see page 34)

PERFORMANCE

Maximum heat input 9.8kW

Maximum heat output 6.7kW

Efficiency 77% (net)

* not supplied by BFM





Glimpse Duplex

The Glimpse Duplex has been designed to create not only a highly efficient secondary heat source but also a fascinating visual focal point. Showcasing a two sided view of an enticing log effect fire, the Duplex is ideal for installation into the corner of a room.

This imposing gas fire offers a maximum heat output of 6.7kW and comes with a host of stylish features including a glossy black enamel interior, a highly realistic log fuel effect and fully dimmable halogen lighting which can be used with or without the fire being lit. The Duplex is operated by a chic remote control handset with thermostatic function which allows you to pre-set your desired temperature level so that your room never gets too warm.

This balanced flue gas fireplace can be purchased with a choice of horizontal or vertical flue kit and with both left and right side versions of the fire available it can be installed almost anywhere in your room.

Installation of the appliance is made easier and more flexible with two flue outlet positions, integrated adjustable legs and the option to purchase a false chimney kit consisting of metal studwork which can be clad with the fitters' choice of high temperature board.* (see page 35 for further details).

ENGINE

Model Glimpse Duplex

Safety Flame Supervision Device

Gas type Natural Gas

Flue type Balanced Flue

(Horizontal & Vertical Kits available - see pages 40-43)

Control type Multifunctional Remote Control (see page 34)

PERFORMANCE

Maximum heat input 9.8kW

Maximum heat output 6.7kW

Efficiency 77% (net)

* not supplied by BFM



Glimpse Triplex

The Glimpse Triplex is the epitome of luxury featuring a three sided view of mesmerizing dancing flames across a log fuel effect, highlighted by glossy black enamel interior.

This balanced flue gas fireplace can be purchased with a choice of horizontal or vertical flue kit so can be installed almost anywhere in the room making it an ideal room divider in a large open plan living space.

The Glimpse Triplex has a maximum heat output of 6.7kW and comes with fully dimmable halogen lighting which can be used with or without the fire being lit. All this is operated by a stylish remote control handset with thermostatic function which allows you to pre-set your desired temperature level so that your room never gets too warm.

Installation of the appliance is made easier and more flexible with two flue outlet positions, integrated adjustable legs and the option to purchase a false chimney kit consisting of metal studwork which can be clad with the fitters' choice of high temperature board.* (see page 35 for further details).

ENGINE

Model Glimpse

Safety Flame Supervision Device

Gas type Natural Gas

Flue type Balanced Flue

(Horizontal & Vertical Kits available - see pages 40-43)

Control type Multifunctional Remote Control (see page 34)

PERFORMANCE

Maximum heat input 9.8kW

Maximum heat output 6.7kW

Efficiency 77% (net)

* not supplied by BFM





Luxe

A combination of elegance and performance makes the Luxe an extremely desirable gas fireplace. Its perfectly proportioned glass frame provides a three-side view of one of the most stunning flame effects available today.

The Luxe features a driftwood fuel bed with glowing embers and a glossy black enamel back panel which reflects its enchanting flames, and is operated by a stylish remote control handset with a thermostatic function which allows you to pre-set your desired temperature level so that you are never too cold or too warm.

This balanced flue gas fireplace can be purchased with a choice of horizontal or vertical flue kit so can be installed almost anywhere in your home and offers an exceptional 77% net efficiency with a heat output of 6.7kW.

Installation of the appliance is made easy with integrated adjustable legs and the option to purchase a false chimney kit consisting of metal studwork which can be clad with the fitters' choice of high temperature board*. (see page 35 for further details).

ENGINE

Model Luxe

Safety Flame Supervision Device

Gas type Natural Gas

Flue type Balanced Flue (Horizontal & Vertical Kits available)

Control type Multifunctional Remote Control (see page 34)

PERFORMANCE

Maximum heat input 9.8kW

Maximum heat output 6.7kW

Efficiency 77% (net)

* not supplied by BFM





Carmelo HE

With its large size and enchanting flame picture the Carmelo HE hole in the wall balanced flue gas fire is certainly a show-stopper and it provides exceptional performance too.

If you're looking for luxury combined with exceptional heat output then the Carmelo HE is the ideal gas fire for you. With a viewing area measuring 1145mm along with an enchanting flame picture this hole in the wall balanced flue gas fire is certainly a show-stopper, and with a heat output of 6.5kW and 75% efficiency it provides exceptional performance too.

What's more this fire can be installed almost anywhere in the home since it uses a balanced flue system with a choice of horizontal flue, vertical flue or chimney conversion flue kits available to choose from. Both log and white stone fuel beds are supplied with every fire.

ENGINE

Model Carmelo HE

Safety Flame Supervision Device

Gas type Natural Gas or LPG

Flue type Balanced Flue (Horizontal, Vertical and Chimney Conversion Kits available)

Control type Fully automatic remote with thermostatic control

PERFORMANCE

Maximum heat input 9.5kW

Maximum heat output 6.5kW

Efficiency 75% (net)

CHOICES

Fuel effect White stones or logs





Pisano Illumia

The Pisano Illumia gas fireplace suite is one of the first products in The Collection by Michael Miller that comes with a beautiful oak fire surround complemented by a honed marfil marble hearth and stepped back panel with integrated decorative halogen lights

The Pisano suite includes a glass fronted high efficiency gas fire which features a stunningly realistic log fuel effect and a choice of black or rustic brick effect lining. The fire is controlled by our multifunctional remote system which includes programmable thermostatic operation and a wake-sleep timer function.



BRICK EFFECT FIRE BACK



PISANO ILLUMIA

ENGINE

Safety Supervision Device & Oxygen Depletion Sensor

Gas type Natural Gas

Flue type Brick Chimney or Pre-fabricated Flue

Control type Multifunctional Remote Control (see page 34)

PERFORMANCE

Maximum heat input 6.2kW

Maximum heat output 4.2kW

Efficiency 75% (net)

CHOICES

Fire back Rustic brick effect or Black ribbed



PISANO ILLUMIA BALANCED FLUE

ENGINE

Safety Flame Supervision Device

Gas type Natural Gas

Flue type Horizontal Balanced Flue (see page 41)

Control type Multifunctional Remote Control (see page 34)

PERFORMANCE

Maximum heat input 5.7kW

Maximum heat output 4.5kW

Efficiency 84% (net)

CHOICES

Fire back Rustic brick effect or Black ribbed

Lopez Illumia

The Lopez Illumia is an imposing gas fireplace suite to complement traditional or contemporary room settings. An attractive oak surround frames a marfil marble stepped back panel and generous hearth. The suite has integrated decorative halogen lights controllable via a special multifunctional remote handset. Illuminate them for effect even when the fire is off, and use the control to preset the temperature of your room and the times you want the fire to switch on and off.

This glass fronted high efficiency suite can be installed into a conventional brick chimney or pre-fabricated flue and is also available as a balanced flue model.

There is a choice of two fire backs to set off the realistic log fuel bed – rustic brick effect or black ribbed.



BLACK RIBBED FIRE BACK



LOPEZ ILLUMIA

ENGINE

Safety Supervision Device & Oxygen Depletion Sensor
Gas type Natural Gas
Flue type Brick Chimney or Pre-fabricated Flue
Control type Multifunctional Remote Control (see page 34)

PERFORMANCE

Maximum heat input 6.2kW
Maximum heat output 4.2kW
Efficiency 75% (net)

CHOICES

Fire back Rustic brick effect or Black ribbed

* not supplied by BFM



LOPEZ ILLUMIA BALANCED FLUE

ENGINE

Safety Flame Supervision Device
Gas type Natural Gas
Flue type Horizontal Balanced Flue (see page 41)
Control type Multifunctional Remote Control (see page 34)

PERFORMANCE

Maximum heat input 5.7kW
Maximum heat output 4.5kW
Efficiency 84% (net)

CHOICES

Fire back Rustic brick effect or Black ribbed





Avelli Illumia

The Avelli Illumia gas fire suite is one of our more petite fireplaces so is perfect for bringing a touch of elegance and warmth to smaller rooms. This classically styled fireplace comes in a choice of limestone or travertine surround and features dimmable halogen lights which enhance a large, stunning log effect gas fire.

This high efficiency fire features a virtually invisible glass front and comes in a choice of black ribbed or brick effect interior. The fire and decorative lights are both operated by a stylish multifunction remote control handset which allows you to thermostatically control your gas fire and ensure a consistent and comfortable room temperature.

The Avelli Suite is suitable for installation in to a standard brick chimney or pre-fabricated flue and a balanced flue version is also available for homes without a standard chimney or flue system.



AVELLI ILLUMIA

ENGINE

Safety Supervision Device & Oxygen Depletion Sensor
Gas type Natural Gas
Flue type Brick Chimney or Pre-fabricated Flue
Control type Multifunctional Remote Control (see page 34)

PERFORMANCE

Maximum heat input 6.2kW
Maximum heat output 4.2kW
Efficiency 75% (net)

CHOICES

Fire back Rustic brick effect or Black ribbed

* not supplied by BFM



IN TRAVERTINE WITH BRICK EFFECT BACK



AVELLI ILLUMIA BALANCED FLUE

ENGINE

Safety Flame Supervision Device
Gas type Natural Gas
Flue type Horizontal Balanced Flue (see page 41)
Control type Multifunctional Remote Control (see page 34)

PERFORMANCE

Maximum heat input 5.7kW
Maximum heat output 4.5kW
Efficiency 84% (net)

CHOICES

Fire back Rustic brick effect or Black ribbed

Dali Illumia

The Dali Illumia gas fire suite is styled with a delightfully realistic log fuel bed and a glossy black vitreous enamel interior lining. It features a programmable thermostatic heating system which can be used to maintain a comfortable and constant room temperature, as well as a wake/sleep function which automatically turns the fire on and off at your chosen times.

Decorative, dimmable halogen lights are built in to the surround and can be used with or without the heat and flame effect to create a stunning focal point all year round.

The Dali Illumia is suitable for conventional brick chimneys or pre-fabricated flue and is available in either Travertine or Limestone.



DALI ILLUMIA IN LIMESTONE



TRAVERTINE

LIMESTONE



DALI ILLUMIA

ENGINE

Safety Flame Supervision Device & Oxygen Depletion Sensor

Gas type Natural Gas

Flue type Brick Chimney or Pre-fabricated Flue

Control type Multifunctional Remote Control (see page 34)

PERFORMANCE

Maximum heat input 5.5kW

Maximum heat output 3.5kW

Efficiency 71% (net)

CHOICES

Surround Travertine or Limestone





Parada Illumia 58L & 54L

The Parada Illumia 58L features a striking landscape gas fire with beautiful dancing flames enhanced by a reflective black enamel interior lining.

The fire is glass fronted for optimum efficiency but has been cleverly designed so that the glass is virtually invisible. It is operated by a multifunctional remote control system with thermostatic and timer functions which allow you to pre-set your desired room temperature and the time that the fire turns on and turns off.

All this is framed by a classically styled surround that is available in a choice of limestone or travertine with built in decorative halogen lights. A 54L version is available to fit smaller rooms or those with a narrower chimney breast



PARADA ILLUMIA 58L & 54L

ENGINE

Safety Flame Supervision Device & Oxygen Depletion Sensor
Gas type Natural Gas or LPG
Flue type Brick Chimney or Pre-fabricated Flue
Control type Multifunctional Remote Control (see page 34)

PERFORMANCE

Maximum heat input 6.9kW
Maximum heat output 5.2kW
Efficiency 83% (net)

CHOICES

Surround Travertine or Limestone

* not supplied by BFM



PARADA ILLUMIA 54L IN TRAVERTINE WITH LOGS



LIMESTONE



TRAVERTINE



PARADA ILLUMIA 58L & 54L BALANCED FLUE

ENGINE

Safety Flame Supervision Device
Gas type Natural Gas or LPG
Flue type Horizontal Balanced Flue (see page 41)
Control type Multifunctional Remote Control (see page 34)

PERFORMANCE

Maximum heat input 6.3kW
Maximum heat output 4.8kW
Efficiency 84% (net)

CHOICES

Surround Travertine or Limestone

Parada Illumia 54S

The Parada Illumia 54S is a small fireplace which makes a big impact. Available in a choice of travertine or limestone the surround has been characteristically designed to look at home in both modern and traditional settings.

The high efficiency, glass fronted gas fire features a stylish log fuel effect with a glossy black enamel lining and mesmerising flames. The fire is operated by a multifunction remote control system with thermostatic and timer functions which allow you to pre-set your desired room temperature and the time that the fire turns on and turns off. The remote handset is also used to operate decorative halogen lighting which is built in to the stone surround.

The smaller proportions of the Parada Illumia 54S ensures it will fit most standard chimney breasts. A balanced flue version for homes without a chimney is also available.



PARADA ILLUMIA 54S

ENGINE

Safety Flame Supervision Device & Oxygen Depletion Sensor

Gas type Natural Gas or LPG

Flue type Brick Chimney or Pre-fabricated Flue

Control type Multifunctional Remote Control (see page 34)

PERFORMANCE

Maximum heat input 5.0kW

Maximum heat output 3.5kW

Efficiency 77% (net)

CHOICES

Surround Limestone or Travertine



PARADA ILLUMIA 54S IN LIMESTONE



TRAVERTINE

LIMESTONE



PARADA ILLUMIA 54S BALANCED FLUE

ENGINE

Safety Flame Supervision Device

Gas type Natural Gas or LPG

Flue type Horizontal Balanced Flue (see page 41)

Control type Multifunctional Remote Control (see page 34)

PERFORMANCE

Maximum heat input 5.1kW

Maximum heat output 3.6kW

Efficiency 79% (net)

CHOICES

Surround Limestone or Travertine

* not supplied by BFM





Da Vinci Illumia

The stunning Da Vinci Illumia fireplace is sure to be the centre of attention in any home. Its highly realistic log fuel bed is complemented by a beautiful and mesmerising lazy flame. The classically designed surround will suit any decor and with a choice of brick effect or black ribbed back panels and Limestone or Travertine surround you can create your own distinctive style.

The Da Vinci Illumia Suite is available as a conventional flue model, suitable for installation into any standard brick chimney or pre-fabricated flue with a maximum heat output of 4.8kW. Don't have a standard chimney or flue? A balanced flue model with an incredible 83% (net) efficiency is also available. Both models feature decorative halogen lights and our multifunction remote control system with thermostatic and timer functions (for more information see page 34).



DA VINCI ILLUMIA SUITE

ENGINE

Safety Flame Supervision Device & Oxygen Depletion Sensor
Gas type Natural Gas
Flue type Brick Chimney or Pre-fabricated Flue
Control type Multifunctional Remote Control (see page 34)

PERFORMANCE

Maximum heat input 7.6kW
Maximum heat output 4.8kW
Efficiency 70% (net)

CHOICES

Surround Travertine or Limestone
Fire Back Rustic brick effect or Black ribbed

* not supplied by BFM



DA VINCI ILLUMIA BALANCED FLUE WITH BLACK RIBBED FIRE BACK IN LIMESTONE



TRAVERTINE



LIMESTONE



DA VINCI ILLUMIA SUITE BALANCED FLUE

ENGINE

Safety Flame Supervision Device
Gas type Natural Gas
Flue type Horizontal or Vertical Balanced Flue
(Horizontal, Vertical and Chimney Conversion Kits available - see page 40)
Control type Multifunctional Remote Control (see page 34)

PERFORMANCE

Maximum heat input 8.7kW
Maximum heat output 6.5kW
Efficiency 83% (net)

CHOICES

Surround Travertine or Limestone
Fire Back Rustic brick effect or Black ribbed

Distinction Illumia

The subtle chamfered edges of the Distinction Illumia combined with a realistic log fuel bed and beautiful mesmerizing flames radiate a luxurious and timeless quality.

This stunning fireplace features a virtually invisible glass front and is available as a conventional flue model for installation in to standard brick chimneys or pre-fabricated flue or a balanced flue model for homes without a chimney. Both models feature decorative halogen lights and our multifunction remote control system with thermostatic and timer functions (for more information see page 34).

Style your fire to suit your décor with the option of brick effect or black ribbed interior panels, and a choice of Limestone or Travertine surround.



DISTINCTION ILLUMIA SUITE

ENGINE

Safety Flame Supervision Device & Oxygen Depletion Sensor

Gas type Natural Gas

Flue type Brick Chimney or Pre-fabricated Flue

Control type Multifunctional Remote Control (see page 34)

PERFORMANCE

Maximum heat input 7.6kW

Maximum heat output 4.8kW

Efficiency 70% (net)

CHOICES

Surround Limestone or Travertine

Fire back Rustic brick effect or Black ribbed

* not supplied by BFM



DISTINCTION ILLUMIA WITH BRICK EFFECT FIRE BACK IN TRAVERTINE



TRAVERTINE

LIMESTONE



DISTINCTION ILLUMIA SUITE BALANCED FLUE

ENGINE

Safety Flame Supervision Device

Gas type Natural Gas

Flue type Horizontal or Vertical Balanced Flue

(Horizontal, Vertical and Chimney Conversion Kits available - see page 40)

Control type Multifunctional Remote Control (see page 34)

PERFORMANCE

Maximum heat input 8.7kW

Maximum heat output 6.5kW

Efficiency 83% (net)

CHOICES

Surround Limestone or Travertine

Fire back Rustic brick effect or Black ribbed





Multifunctional remote control operation

All fires in The Collection come with a stylish, multifunctional remote control handset. This hand set is not only used to ignite the fire, control the heat/flame level and extinguish the fire, it also operates thermostatic and timer functions which allow you to preset a desired room temperature, between 5°C and 30°C, in both day and night mode and to set the times of day you would like the fire to turn on and turn off.

All fires feature an electronic fan to circulate convected heat around the room. The remote control handset is used to change the fan speed. For optimum efficiency we recommend the fire is always used with the fan on at the maximum speed setting.

In addition to the heat and fan settings your fire features dimmable, decorative halogen lighting* which can be used with or without the flame being in operation. Your handset is used to turn the decorative lighting on or off and to adjust the brightness level.

* not available on the Carmelo Balanced Flue

False Chimney Kits for Glimpse Fires

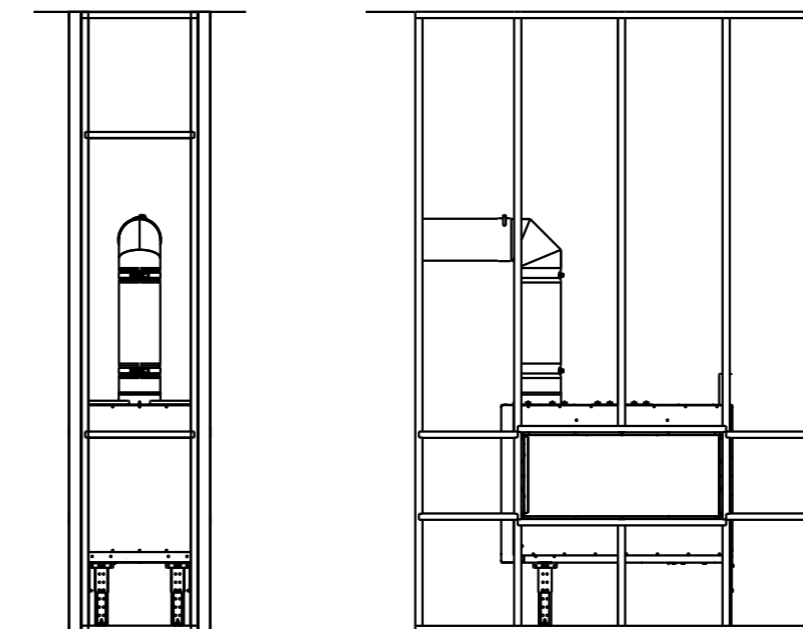
False chimney kits are available at an additional cost to simplify the installation of the Glimpse range of gas fires, including Glimpse, Glimpse Duplex, Glimpse Triplex and Luxe. The false chimney kit consists of the metal studwork and screws required to create the false chimney structure. This can then be clad with the fitters' choice of high temperature board*.

We recommend a non combustable board such as Promat Supalux in a double 6mm thickness, giving an overall thickness of 12mm. Promat Supalux board is available from CCF Manchester.

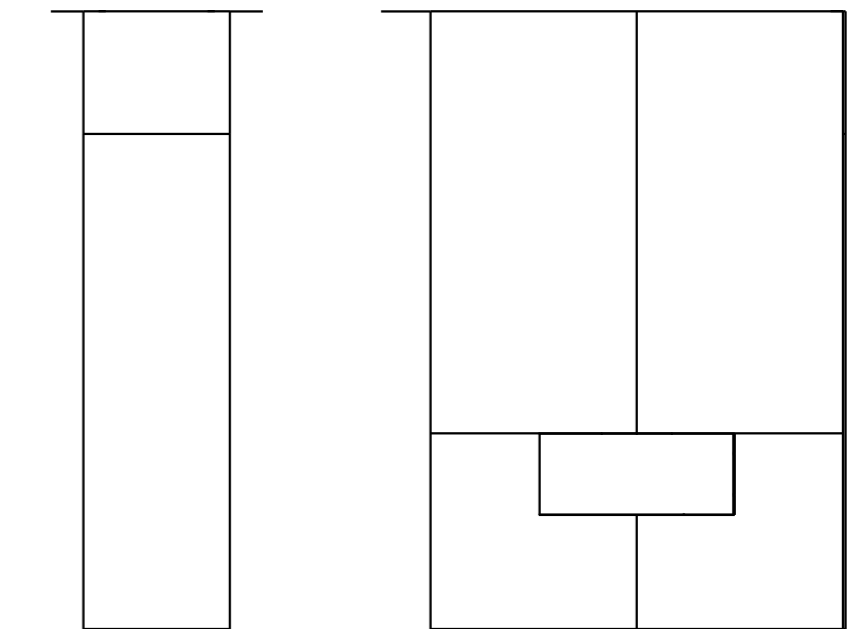
* not supplied by BFM



GLIMPSE FALSE CHIMNEY STUDWORK

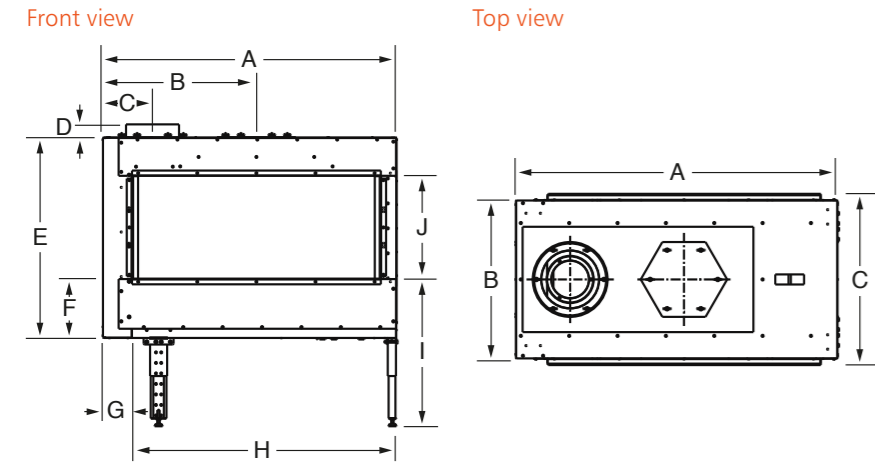


GLIMPSE FINISHED FALSE CHIMNEY



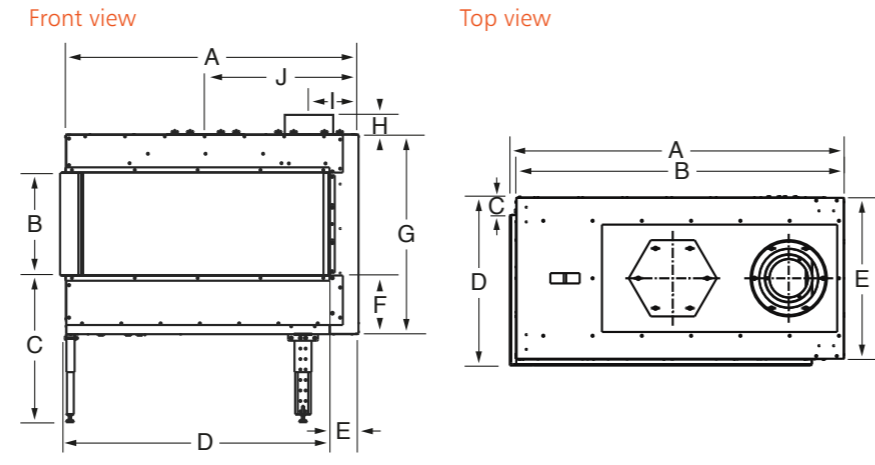
Fire Dimensions

GLIMPSE



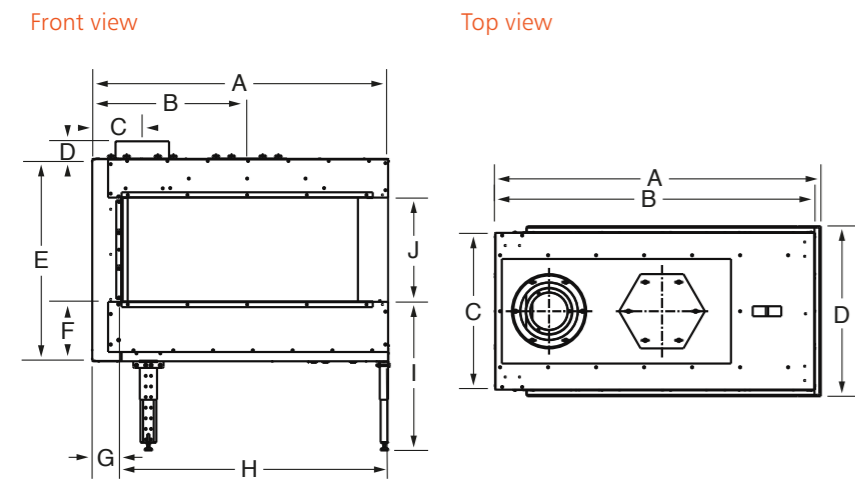
- Front view**
 A 1118mm G 109mm
 B 584mm H 949mm
 C 189mm I 279-559mm
 D 50mm J 395mm
 E 763mm
 F 223mm
- Top view**
 A 1118mm
 B 551mm
 C 595mm

GLIMPSE DUPLEX - LEFT ASPECT



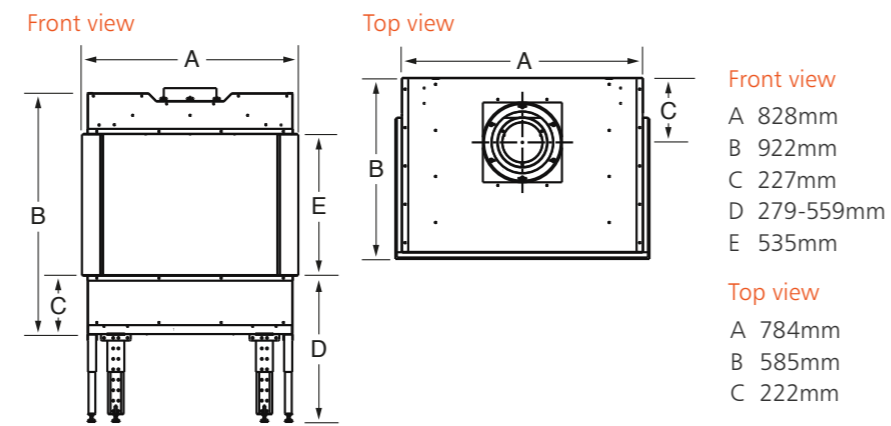
- Front view**
 A 1118mm G 763mm
 B 395mm H 50mm
 C 279-559mm I 189mm
 D 1009mm J 584mm
 E 109mm
 F 223mm
- Top view**
 A 1140mm
 B 1119mm
 C 59mm
 D 573mm
 E 551mm
- RIGHT ASPECT**
 Reverse image for Right aspect, dimensions are the same. See installation manual for more details.

GLIMPSE TRIPLEX



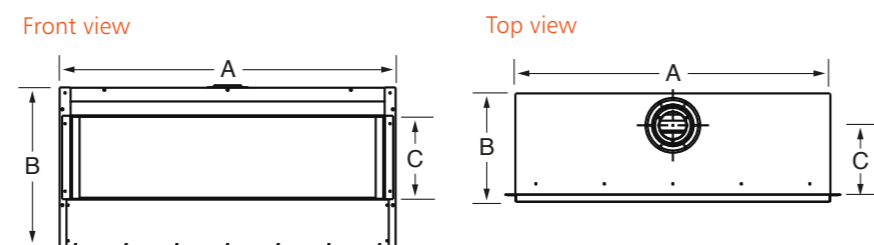
- Front view**
 A 1118mm G 109mm
 B 584mm H 1009mm
 C 189mm I 279-559mm
 D 50mm J 395mm
 E 763mm
 F 223mm
- Top view**
 A 1140mm
 B 1119mm
 C 551mm
 D 595mm

LUXE



- Front view**
 A 828mm
 B 922mm
 C 227mm
 D 279-559mm
 E 535mm
- Top view**
 A 784mm
 B 585mm
 C 222mm

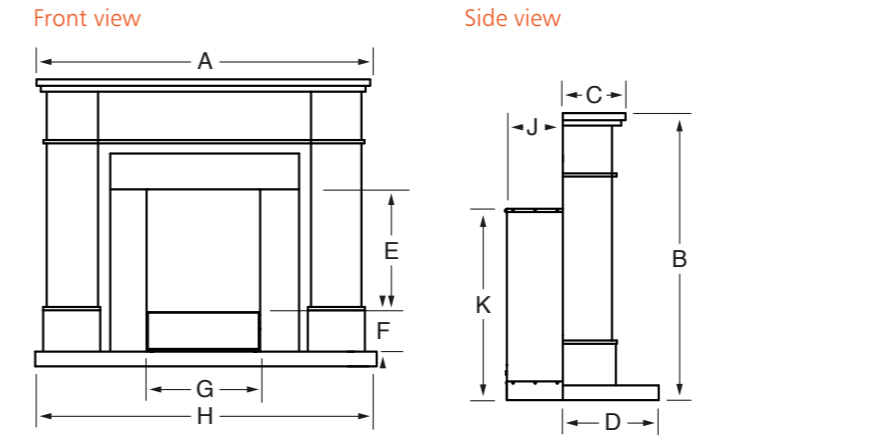
CARMELO



- Front view**
 A 1227mm
 B 580mm
 C 307mm
- Top view**
 A 1150mm
 B 369mm
 C 252mm

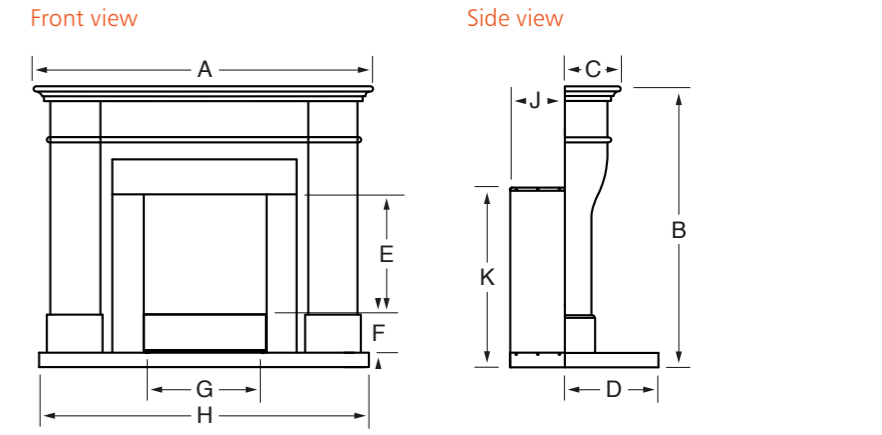
Suite Dimensions

PISANO ILLUMIA



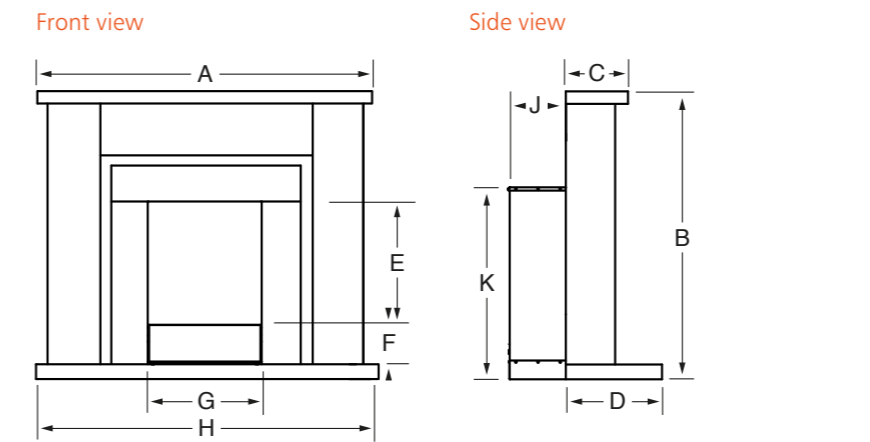
- Front view**
 A 1372mm
 E 500mm
 F 220mm
 G 462mm
 H 1372mm
- Side view**
 B 1149mm
 C 280mm
 D 380mm
 J 205mm
 K 779mm
- Top view**
 I 528mm

AVELLI ILLUMIA



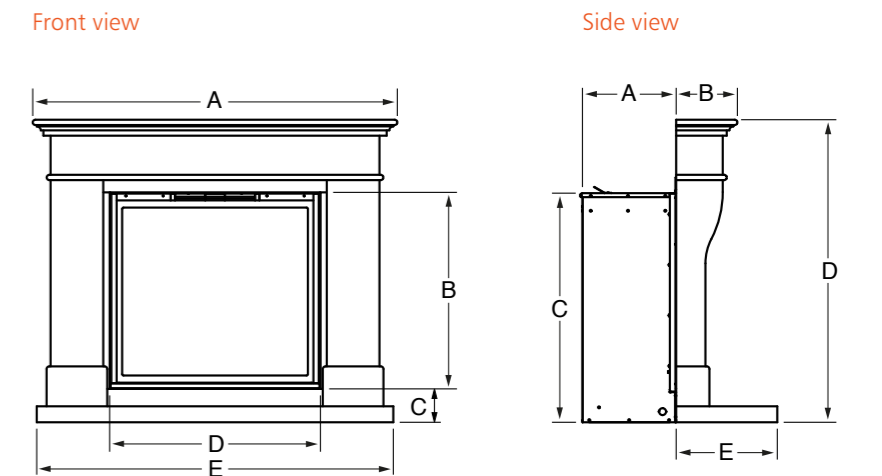
- Front view**
 A 1225mm
 E 500mm
 F 220mm
 G 454mm
 H 1225mm
- Side view**
 B 1137mm
 C 225mm
 D 380mm
 J 205mm
 K 779mm
- Top view**
 I 528mm

LOPEZ ILLUMIA



- Front view**
 A 1372mm
 E 500mm
 F 220mm
 G 462mm
 H 1372mm
- Side view**
 B 1212mm
 C 305mm
 D 380mm
 J 205mm
 K 779mm
- Top view**
 I 528mm

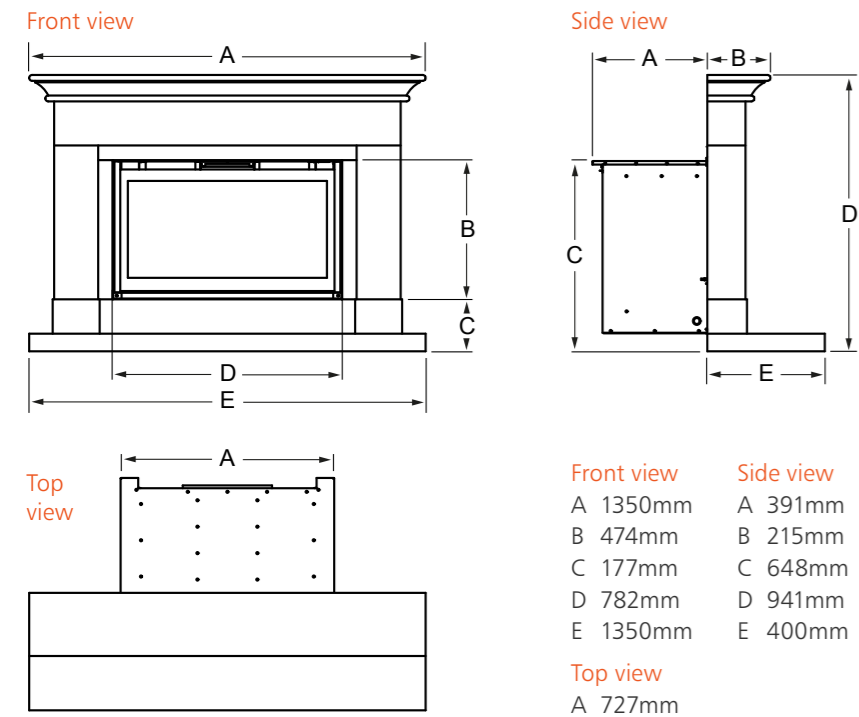
DA VINCI ILLUMIA CF



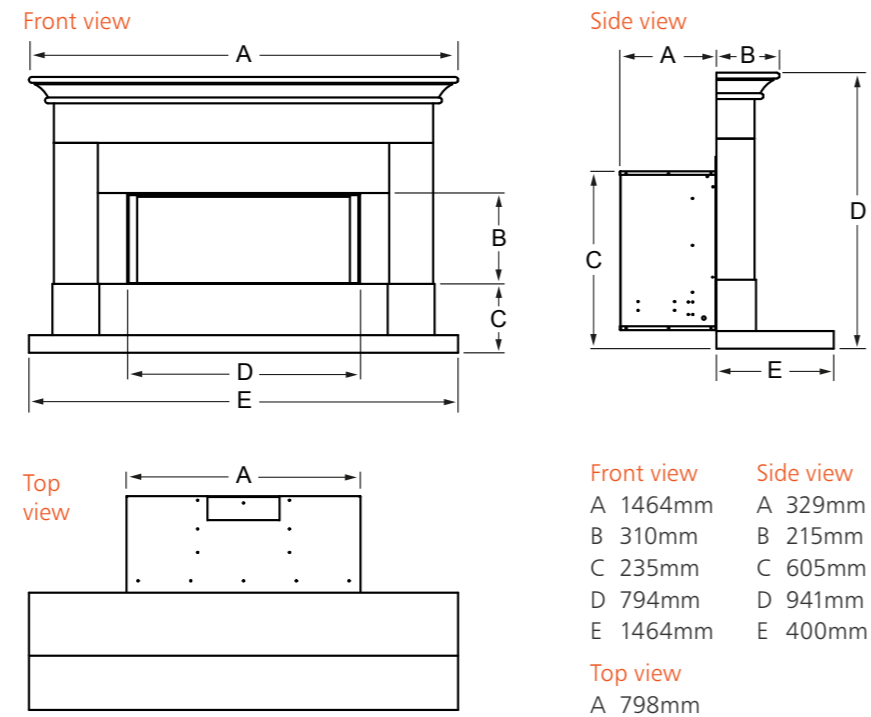
- Front view**
 A 1370mm
 B 739mm
 C 126mm
 D 792mm
 E 1340mm
- Side view**
 A 352mm
 B 230mm
 C 861mm
 D 1137mm
 E 380mm
- Top view**
 A 790mm
 B 755mm

Suite Dimensions continued...

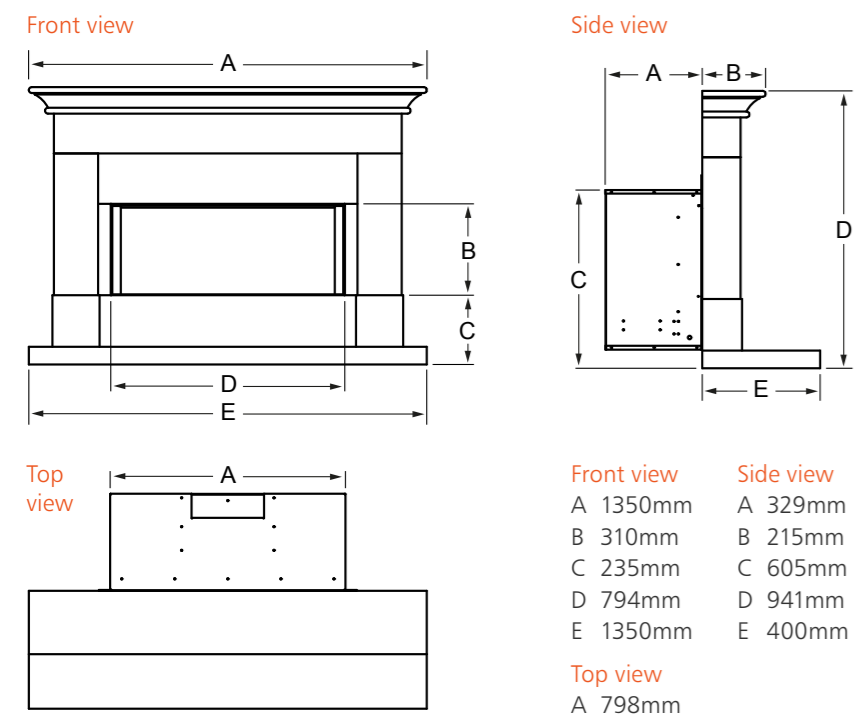
DALI ILLUMIA



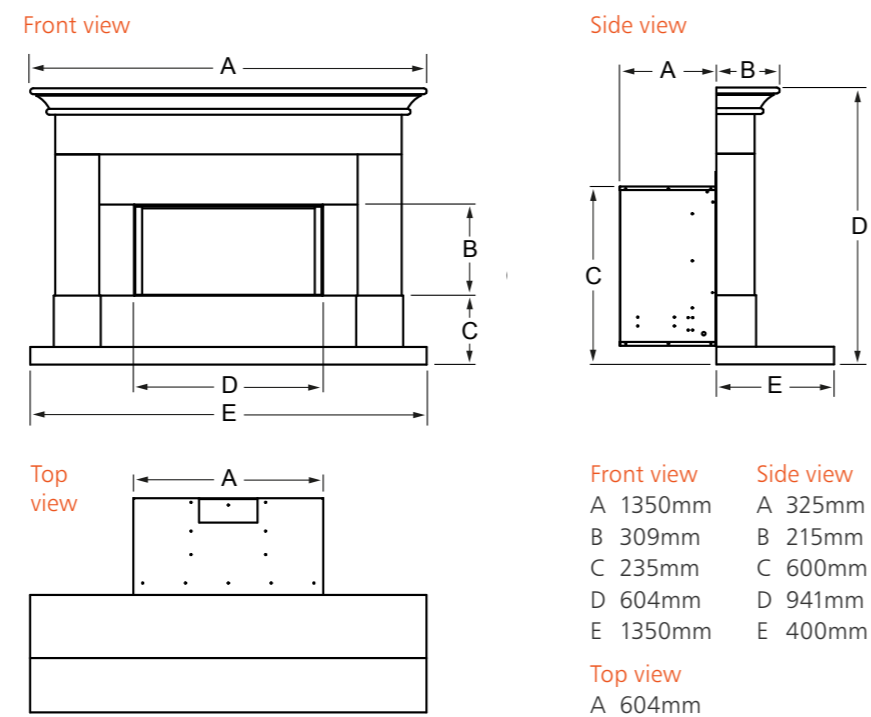
PARADA ILLUMIA 58L SUITE



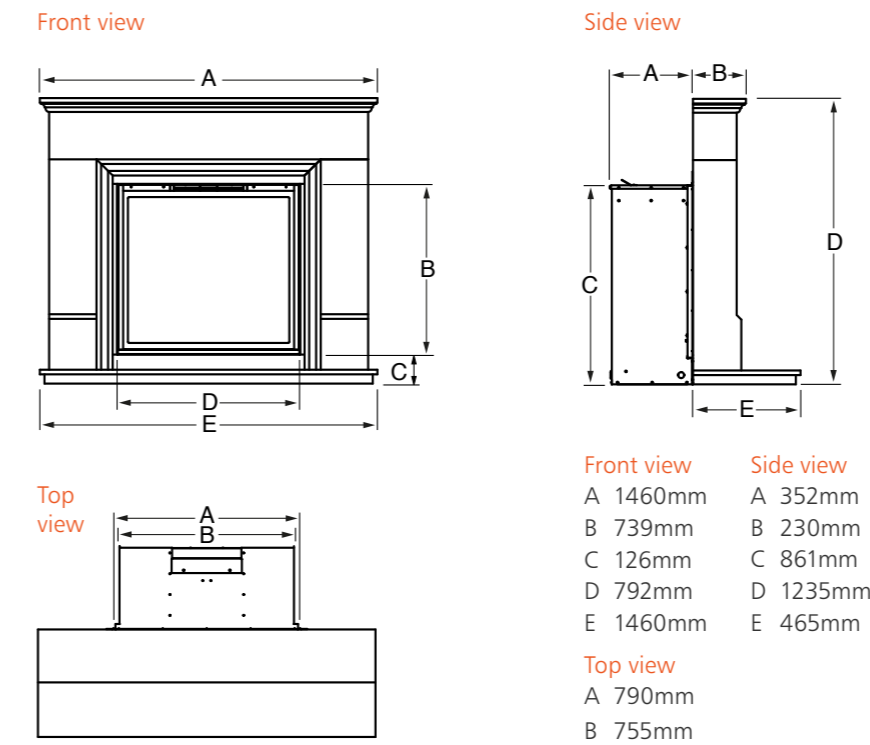
PARADA ILLUMIA 54L SUITE



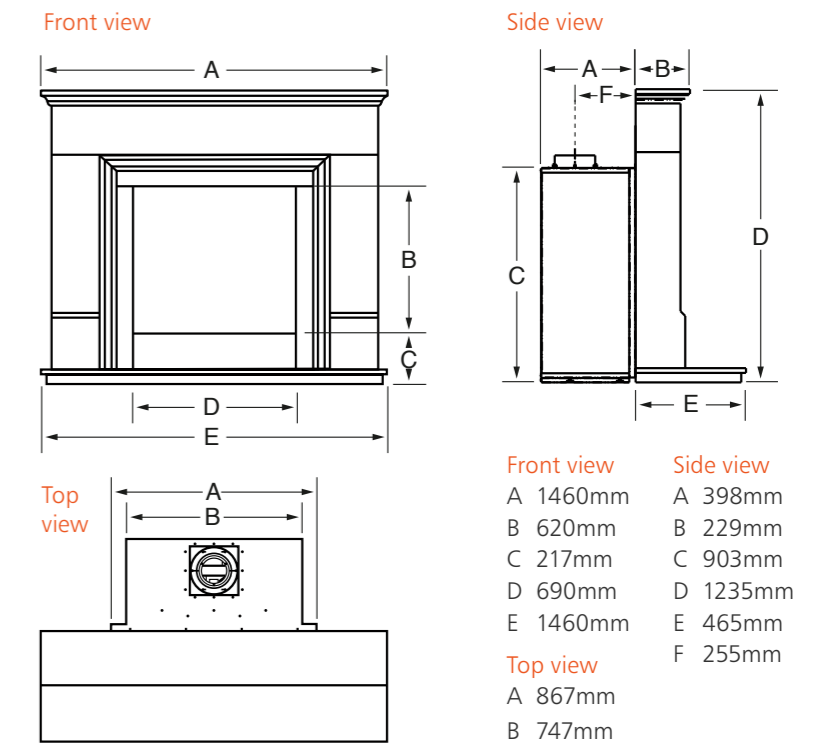
PARADA ILLUMIA 54S SUITE



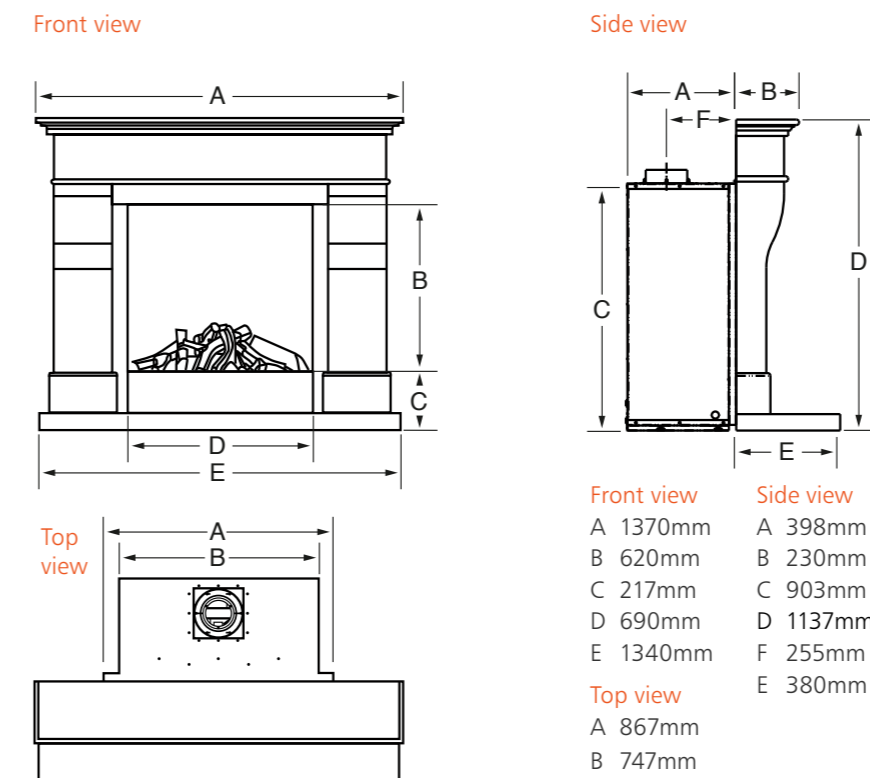
DISTINCTION ILLUMIA CF



DISTINCTION ILLUMIA BF



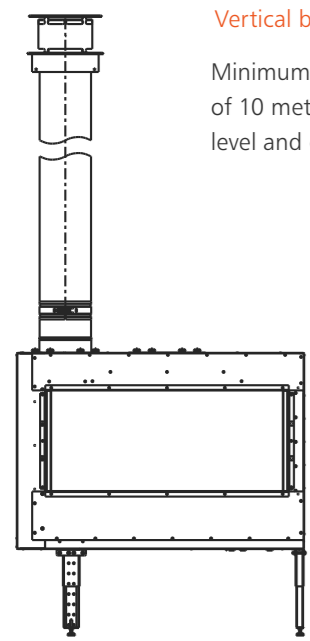
DA VINCI ILLUMIA BF



Balanced Flue Installations

The following diagrams show our various balanced flue installation possibilities for each of our gas fires. For more detailed information please refer to the product installation manual.

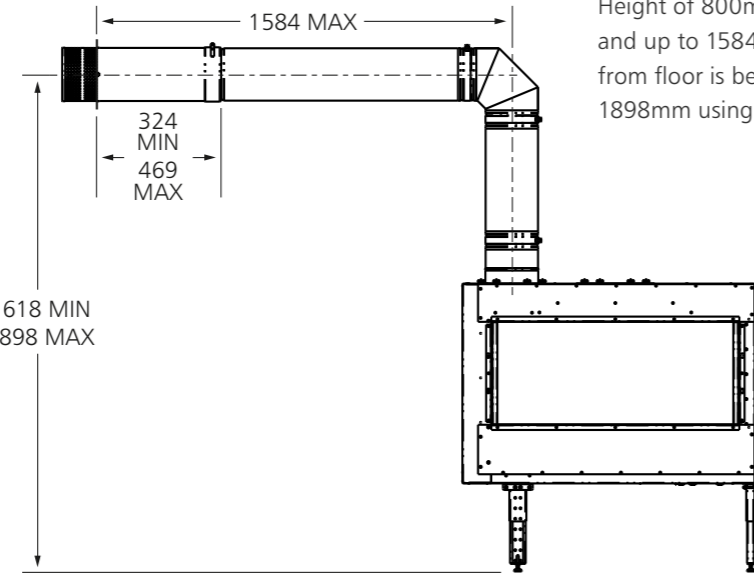
GLIMPSE, GLIMPSE DUPLEX, GLIMPSE TRIPLEX



Vertical balanced flue installation

Minimum of 3 metres and maximum of 10 metres in height from floor level and excluding flue terminal.

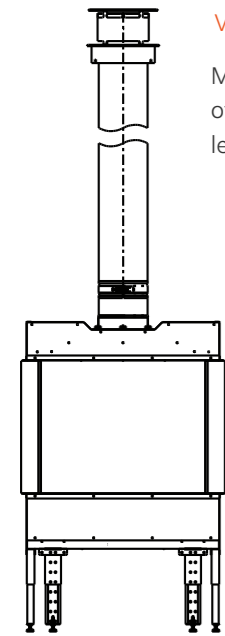
1618 MIN
1898 MAX



Horizontal balanced flue installation

Height of 800mm from top of product and up to 1584mm in length. Height from floor is between 1618mm & 1898mm using integral adjustable legs.

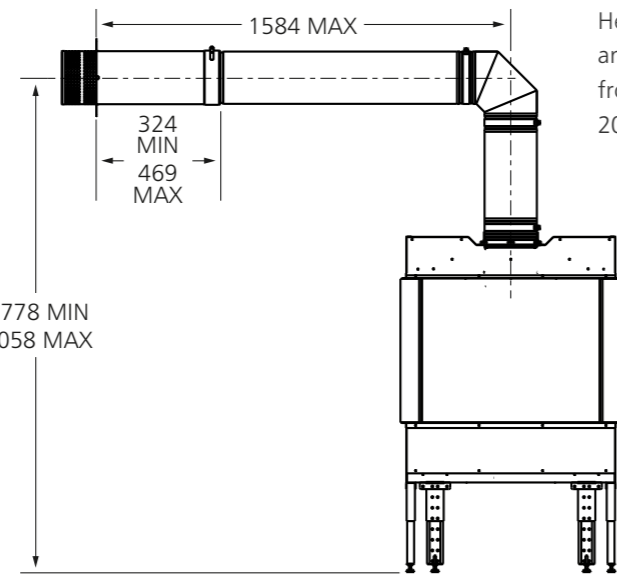
LUXE



Vertical balanced flue installation

Minimum of 3 metres and maximum of 10 metres in height from floor level and excluding flue terminal.

1778 MIN
2058 MAX

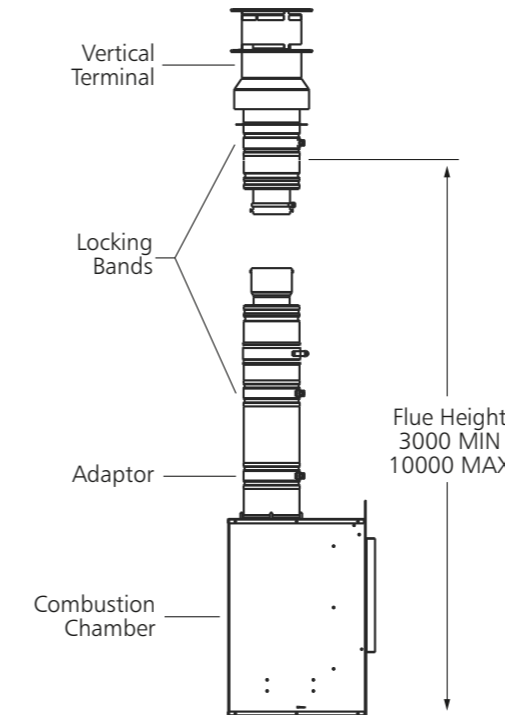


Horizontal balanced flue installation

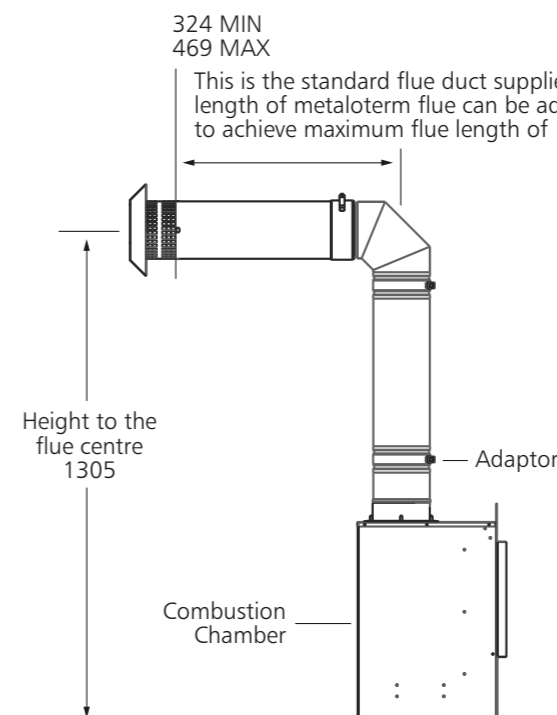
Height of 800mm from top of product and up to 1584mm in length. Height from floor is between 1778mm & 2058mm using integral adjustable legs.

CARMELO

Vertical balanced flue installation

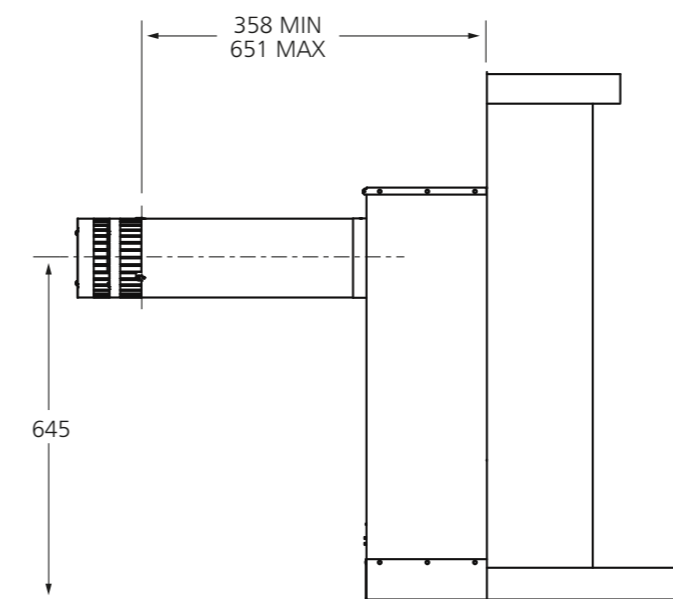


Horizontal balanced flue installation

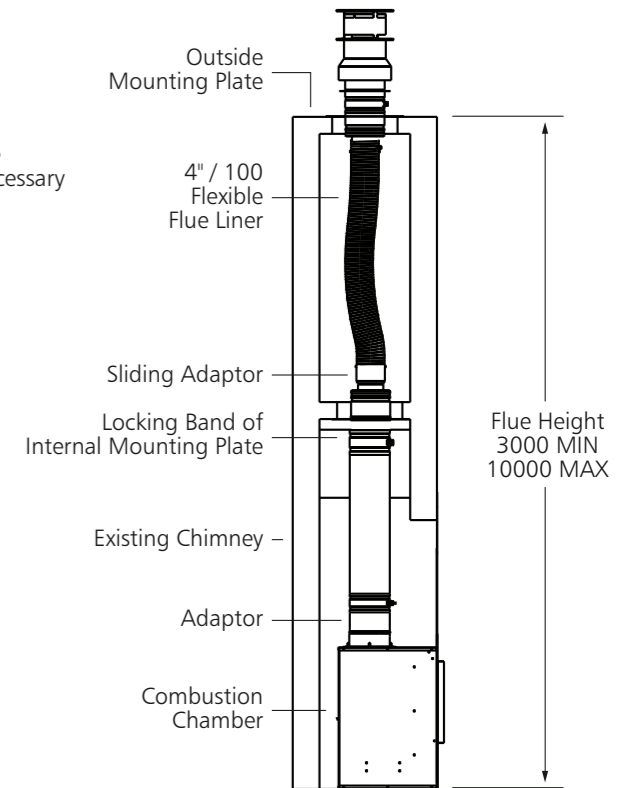


LOPEZ, PISANO AND AVELLI ILLUMIA

Horizontal balanced flue installation

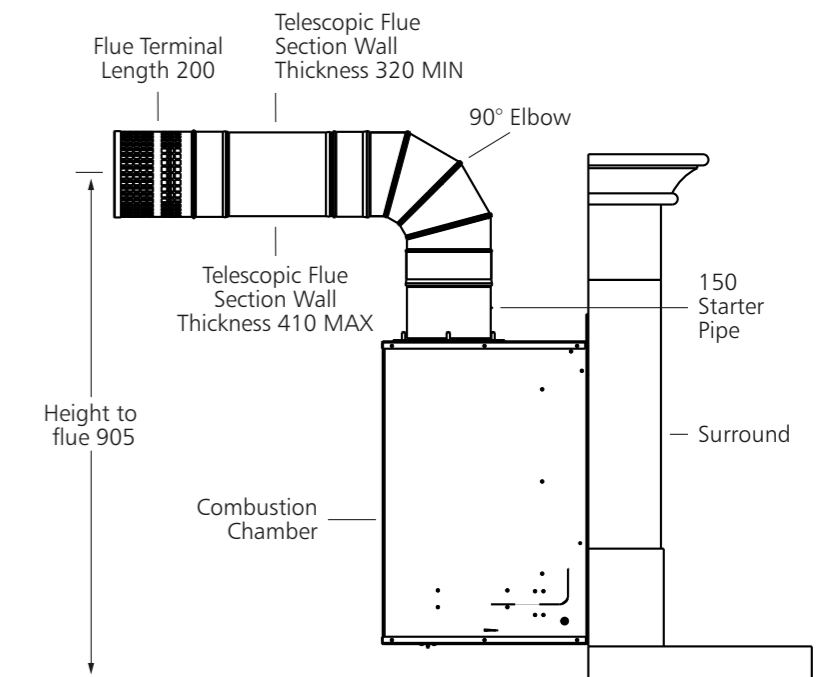


Chimney conversion balanced flue kit

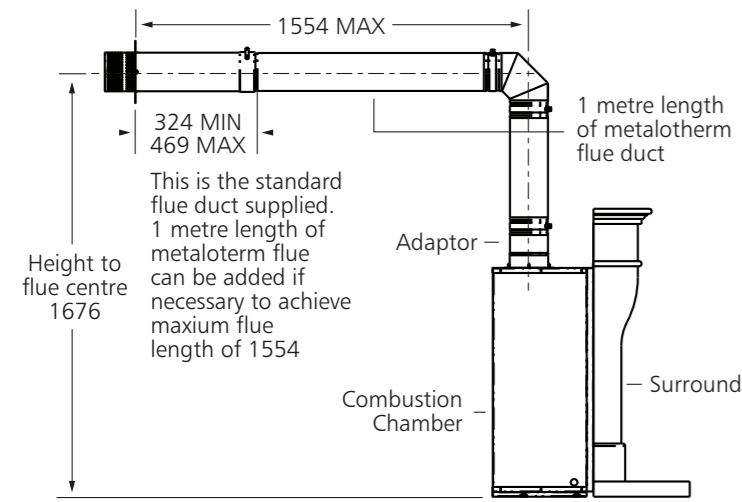


PARADA ILLUMIA 48L, 54L AND 54S

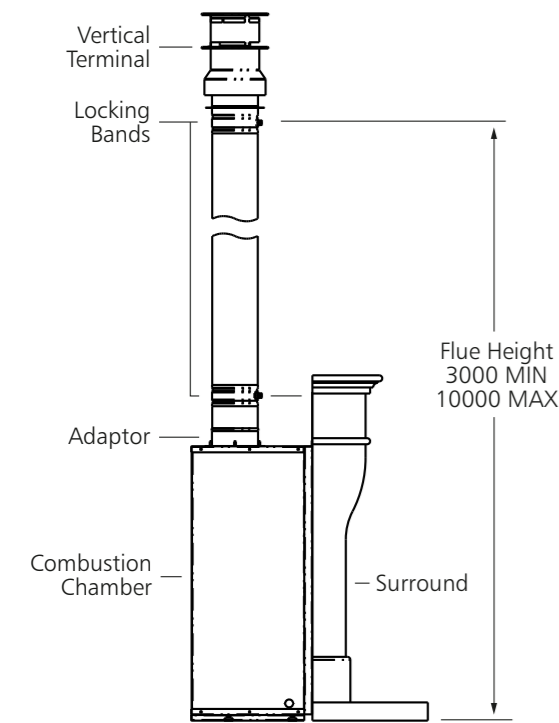
Horizontal balanced flue installation



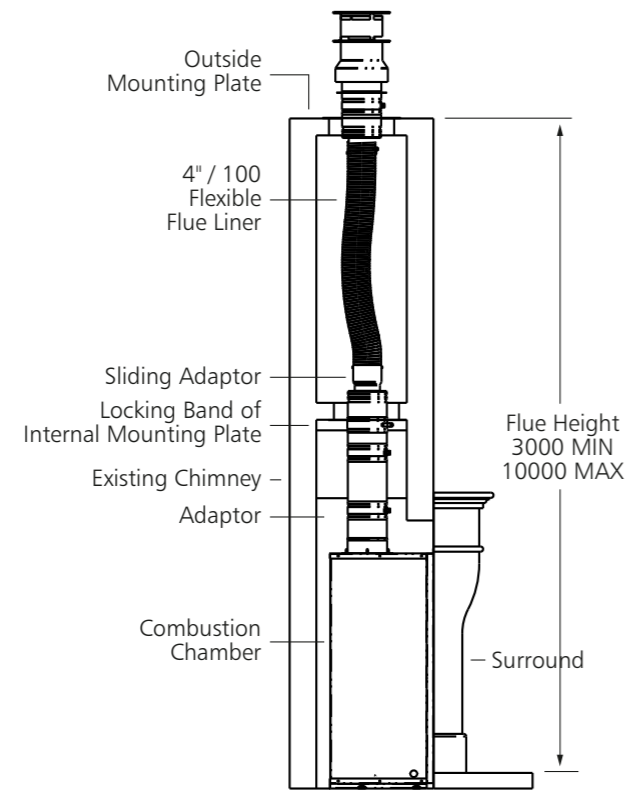
Horizontal balanced flue installation



Vertical balanced flue installation



Chimney conversion balanced flue kit



Chimney conversion balanced flue kit

The existing chimney must have a minimum cross-sectional area of 22,500mm² to provide sufficient air flow to fit the chimney conversion kit.

WARNING

BFM Europe Limited is a Gas Safe Register company. We recommend that all of our fires are installed by Gas Safe Register engineers in accordance with our instructions.

DISCLAIMER

Our policy is one of constant development and improvement. We therefore reserve the right to revise designs and specifications of our products without formal notice, patents pending. We always recommend our products be viewed in an approved showroom before purchase.

Whilst we have taken every care in the preparation of this brochure it is not intended to replace the installation manual which provides more detailed information.

Photography is for illustration purposes only and although every effort has been made to ensure accurate reproduction of typical installations and flame pictures they may vary according to fire model and flue types.

We accept no liability for any loss or damage arising directly or indirectly from the use of this brochure. We recommend that all our fires are used in conjunction with central heating and not as a primary source of heat. In the interests of personal safety a suitable fireguard is recommended when children, the elderly and the infirm are present.

This brochure is copyright 2015 and must not be reproduced in whole or in any part without prior written permission.

