



# STOVE collection

*incorporating the new*

**STOVEN**<sup>TM</sup> *range*



Efficient heating  
carbon neutral

[www.newmanstoven.co.uk](http://www.newmanstoven.co.uk)



# Welcome

Thank you for showing an interest in our range of stoves.

Newman Fireplaces is a family business that has been established for many years, with their family being established in the fireplace trade since 1929. With this wealth of experience and know how, you can be confident in our dedication to supply only top quality products.

The appeal and cosiness of a cast iron stove is timeless, with the advantage of heating your room both efficiently and in an environmentally friendly manner.

Cast iron has been used in the construction of stoves for many years as it is known for its excellent heat retention properties, even when the stove is switched off, it will continue to radiate heat into the room for some time.



# Efficient heating

All of our stove range incorporate large ceramic glass to windows so you can take full advantage of the leaping flames and glowing embers.

Each stove has been rigorously tested to achieve CE approval, therefore complying with all relevant safety and environmental issues.

We hope you enjoy browsing through this brochure, as you will see stoves for most occasions, including wood burning, multi fuel burning, gas fuelled stoves plus our all new Stoven™ range which has an integral oven, an all new patented design. We only supply fireplace and stove retailers within the UK that should be able to offer advice and in-house surveys for your selected stove, a very important part of any stove purchase.

Wood and multi fuel stoves must be installed by a suitably qualified engineer complying with Building Regulations and any Rules In Force. The recognised body for solid fuel is HETAS.

Gas stoves must be installed by a Gas Safe registered installer complying with Building Regulations and any Rules In Force.

All of our stoves are manufactured to ISO 9001:2008 Standard ensuring rigorous quality control at every stage of manufacture.

Quality Management Standard ISO 9001:2008

All efficiency figures quoted are net values



... a true natural renewable heat source.

It is considered carbon neutral when burning approved wood. Being carbon neutral is of great comfort having the knowledge that we are protecting our venerable planet for now and future generations.

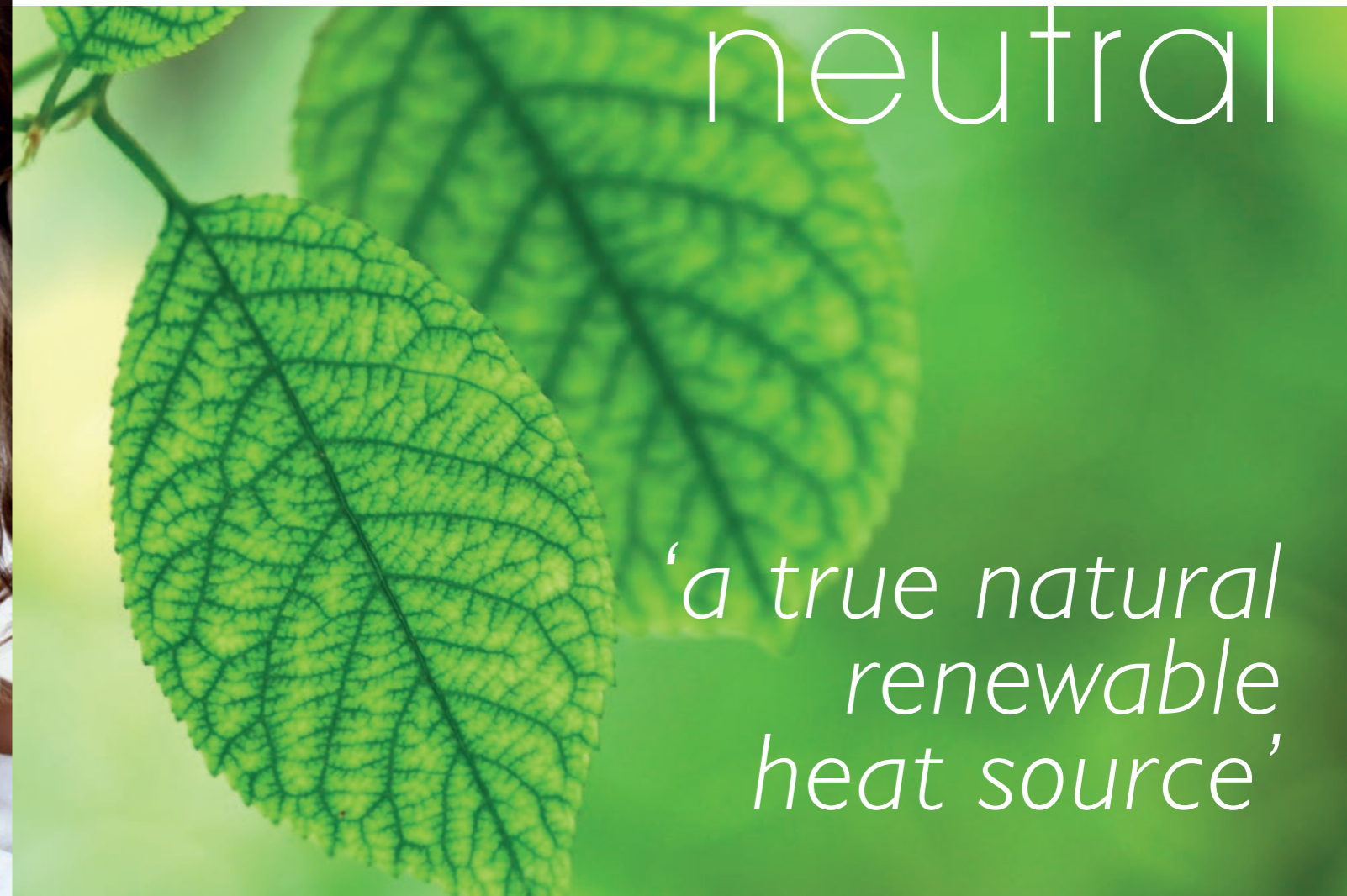
Wood is considered carbon neutral as the carbon dioxide emitted whilst burning logs is the same as the carbon dioxide absorbed by the tree whilst growing. The purchase of approved logs is of great importance as the logs must be of low moisture content, less than 20%, this will enable easier ignition, maximum heat, cleaner glass and will avoid excessive tar residue to build up in the stove and chimney system.

Ensure logs are purchased from reputable suppliers that manage forests for renewable energy, this will ensure the wood consumed is replaced with the planting of new trees allowing **a true natural renewable heat source.**



# carbon neutral

'a true natural  
renewable  
heat source'





# STOVEN™ Easy-light Stove

These all new stoves incorporate the very latest technology including the patented air induction system. This allows for easy lighting and will burn even singular logs with improved burning characteristics.

... a stove you can cook on

This is the latest edition to our stove range. These wonderful stoves incorporate large curved ceramic glass windows allowing the burning fire to be viewed from many different room positions.

The Stoven Kensington and Stoven Mayfair are unique and these all new patented stoves incorporate many exciting new features.

- Separate firebox door incorporating a, very large panoramic curved glass window, so you can enjoy watching the fire burn to maximum effect from many viewing positions.
- An integral oven built into the lower part of the stove with separate door, enabling cooking, ideal for cosy nights in around the fire, also a great back up for cooking in emergency situations, if there is mains supply failure.
- A totally unique patented burning system.
- Fire burns in a bed of skimmed aerated ash.
- Aeration system that creates a fine draught to the fires core which greatly improves ignition and re ignition from the glowing embers.
- The ability to sustain ignition on either one or two logs to keep the room up to temperature once the required temperature has been achieved.
- Quick and easy ash removal.
- Bakelite handle with optional stainless steel handle.



- Additional room ventilation not normally required. (subject to testing when installed by a HETAS engineer and date of building construction).
- Cast iron casing construction allowing maximum heat transfer.
- Heat retention for some time after the fire is extinguished.
- Large curved ceramic glass window allowing a superb view of the burning fire.
- Smoke exempt approved, to allow burning in smoke controlled areas.
- Air wash system to glass.
- Top or rear flue outlet.
- Attractive design.
- Robust construction.
- Efficiency.
- Clean burn technology.
- CE approved.
- Optional short legs.



Stoven Patent number 2473739

## STOVEN™ Kensington SE

## STOVEN™ Mayfair SE



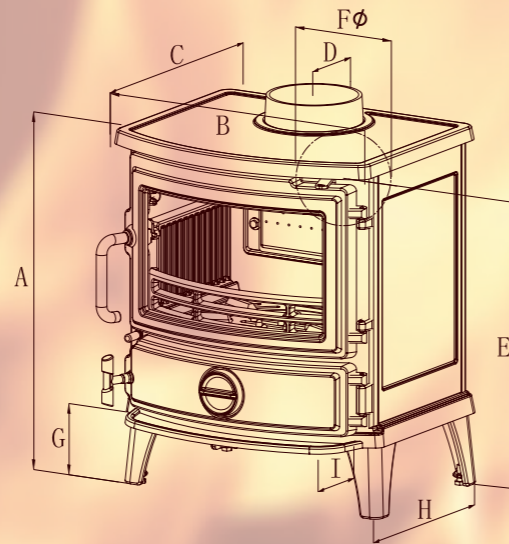


# STOVEN™ Specifications

## Kensington SE



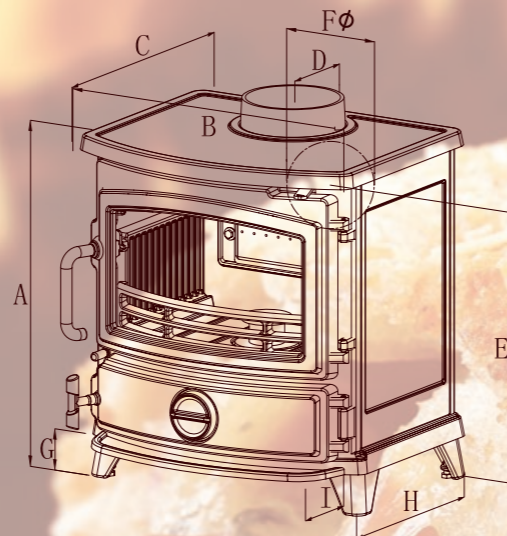
A	553
B	450
C	377
D	107
E	443
FØ	125
G	110
H	286
I	101



## Mayfair SE



A	513
B	450
C	377
D	107
E	443
FØ	125
G	70
H	286
I	101

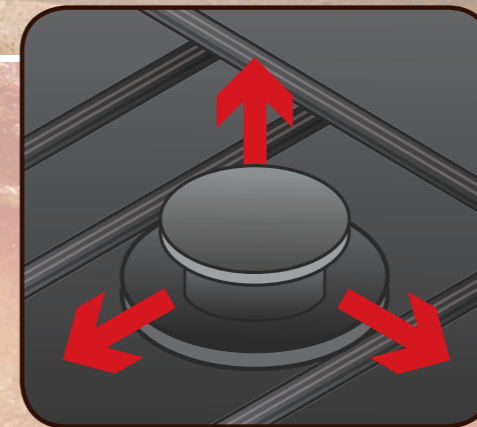


The Stoven™ Kensington SE is shown with the standard legs. Shorter legs are available as an optional extra if there are any height restraints for stove installation, as shown on the Stoven™ Mayfair SE illustration above.

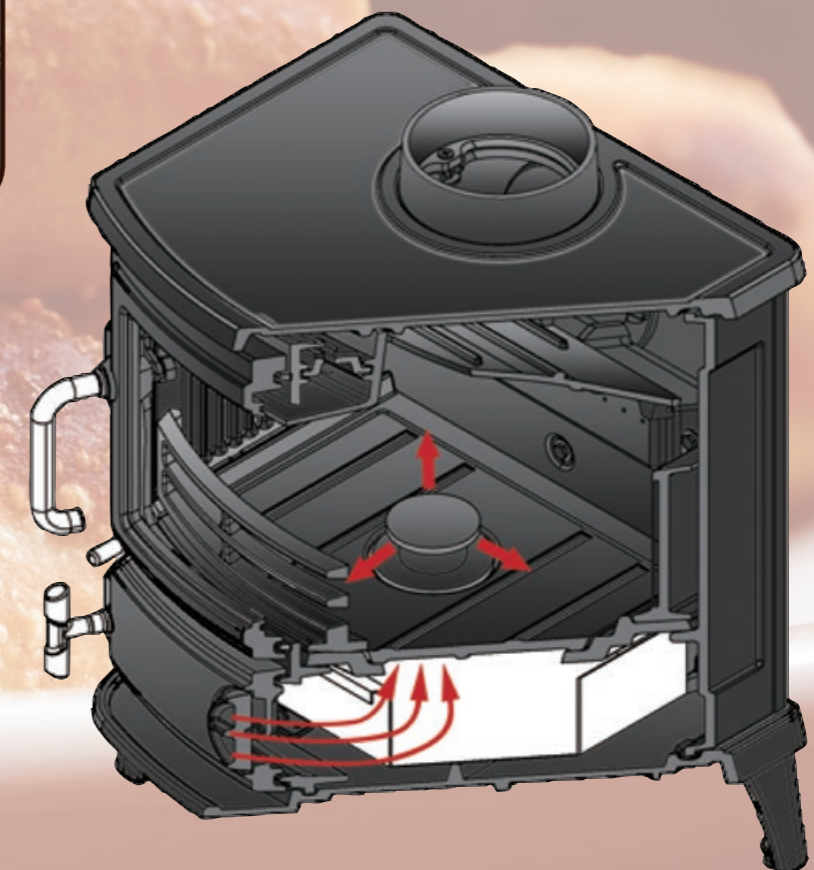
Fuel	Wood
Nominal output	5kw
Efficiency wood	78.8%
Approximate weight	92kg
Max log size	32cm
Stove collar diameter	125mm (Internal)
Flue location	Top or rear
Defra approved	Yes
Air wash to glass	Yes
Casing construction	Cast iron
Adjustable legs	Yes
Handle	Bakelite or optional Stainless steel
CE approved	Yes
Quality Assurance	ISO 9001:2008
Minimum chimney flue diameter required	- 125mm (Internal)



Stoven Patent number 2473739



## Easy-light Stove



### Stoven Easy-light feature

- Patented air induction system.
- Directs the incoming air above the grate in the optimum position right into the central heart of the fire.
- Much easier ignition and re ignition.
- Capable of burning even singular logs.
- Improved burning characteristics.
- Easy ash removal through detachable air funnel into ash pan below.







Algarve 54" Fireplace shown with Grande Vista Stove



## Bela Vista & Grande Vista

The Bela and Grande Vista incorporate a large ceramic glass window so the beauty of the leaping flames and glowing embers can be enjoyed to maximum effect.

An impressive heat output of between 7kw to 7.5kw. A modern design and moderate size allowing greater flexibility to many installation specifications. Multi fuel, so can burn either logs or smokeless fuels.

### Features

- Airwash system to glass. (Helps to prevent the build up of burnt deposits to the glass window).
- Cast iron casing construction allowing maximum heat transfer and heat retention.
- Top or rear flue outlet.
- Bakelite handle with optional stainless steel handle.
- External riddling grate.
- Large ceramic glass window allowing the fire to be enjoyed to maximum effect.
- Cleanburn technology.
- Robust construction.
- CE approved.



Bela Vista Model

### Specifications

<b>Fuel</b>	Wood or smokeless fuel
<b>Nominal output</b>	7kw - 7.5kw
<b>Efficiency wood</b>	75.6%
<b>Efficiency smokeless fuel</b>	73.5%
<b>Approximate weight</b>	89kg
<b>Max log size</b>	32cm
<b>Stove collar diameter</b>	125mm (Internal)
<b>Flue location</b>	Top or rear
<b>Defra approved</b>	No
<b>Air wash to glass</b>	Yes
<b>Casing construction</b>	Cast iron
<b>Adjustable legs</b>	Yes
<b>Handle</b>	Bakelite or optional Stainless steel
<b>CE approved</b>	Yes
<b>Quality Assurance</b>	ISO 9001:2008
<b>Minimum chimney flue diameter required - 150mm (Internal)</b>	

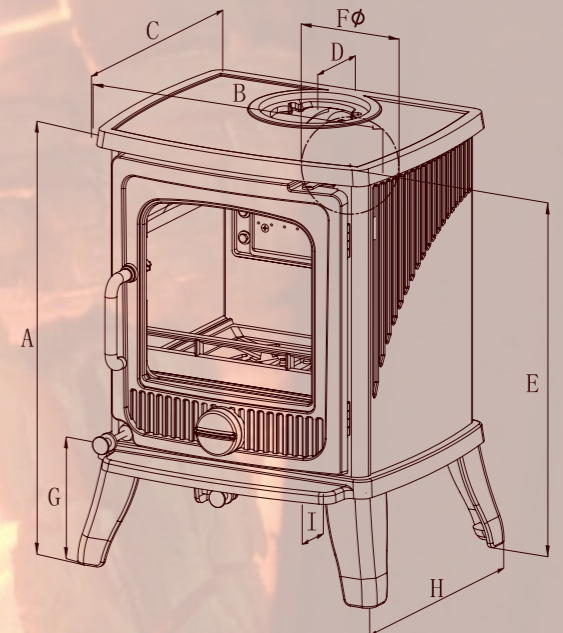
**Use in Smoke Controlled Zone**  
 Wood - No  
 Approved Smokeless Fuel - Yes

### Size Guide

	mm
A	602
B	442
C	361
D	103
E	499
FØ	125
G	145
H	375
I	58



Grande Vista Model







Paguera 48" Fireplace shown with Vista Panoramica Stove



## Vista Panoramica

An impressive stove designed to modern standards with clean straight lines to the top of door. As all of our stove range it incorporates our usual large ceramic glass window to door allowing a superb view of the burning fire.

The Vista Panoramica boasts an impressive 82.1% efficiency when burning logs. Multi fuel, so can burn either logs or smokeless fuels.



### Features

- Airwash system to glass. (Helps to prevent the build up of burnt deposits to the glass window).
- Cast iron casing construction allowing maximum heat transfer and heat retention.
- Top or rear flue outlet.
- Additional room ventilation not normally required. (subject to testing when installed by a HETAS engineer and date of building construction).
- Bakelite handle with optional stainless steel handle.
- External riddling grate.
- Large ceramic glass window allowing the fire to be enjoyed to maximum effect.
- Cleanburn technology.
- Multi fuel.
- Robust construction.
- CE approved.

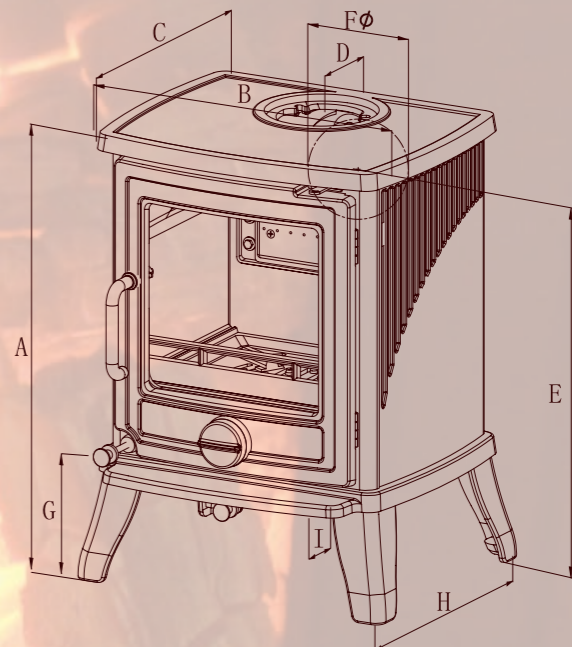
### Specifications

<b>Fuel</b>	Wood or smokeless fuel
<b>Nominal output</b>	4.9kw
<b>Efficiency wood</b>	82.1%
<b>Efficiency smokeless fuel</b>	74.9%
<b>Approximate weight</b>	89kg
<b>Max log size</b>	32cm
<b>Stove collar diameter</b>	125mm (Internal)
<b>Flue location</b>	Top or rear
<b>Defra approved</b>	No
<b>Air wash to glass</b>	Yes
<b>Casing construction</b>	Cast iron
<b>Adjustable legs</b>	Yes
<b>Handle</b>	Bakelite or optional Stainless steel
<b>CE approved</b>	Yes
<b>Quality Assurance</b>	ISO 9001:2008
<b>Minimum chimney flue diameter required - 150mm (Internal)</b>	

<b>Use in Smoke Controlled Zone</b>	
<b>Wood</b>	- No
<b>Approved Smokeless Fuel</b>	- Yes

### Size Guide

	mm
<b>A</b>	602
<b>B</b>	442
<b>C</b>	361
<b>D</b>	103
<b>E</b>	499
<b>FØ</b>	125
<b>G</b>	145
<b>H</b>	375
<b>I</b>	58







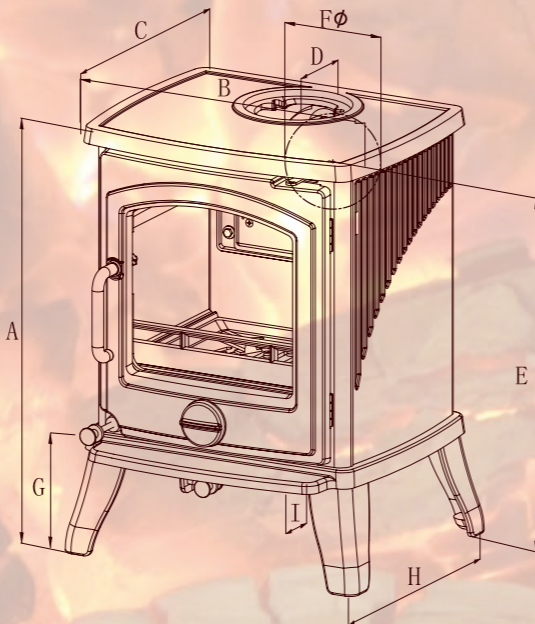
## Vista Quente

An impressive stove designed to modern standards with a gentle curve to the top of door. As all of our stove range they incorporate our usual large ceramic glass window to door allowing a superb view of the burning fire.

The Vista Quente boasts an impressive 82.1% efficiency when burning logs. Multi fuel, so can burn either logs or smokeless fuels.

### Use in Smoke Controlled Zone

Wood	- No
Approved Smokeless Fuel	- Yes



### Size Guide

	mm
A	602
B	442
C	361
D	103
E	499
FØ	125
G	145
H	375
I	58



## Specifications

Fuel	Wood or smokeless fuel
Nominal output	4.9kw
Efficiency wood	82.1%
Efficiency smokeless fuel	74.9%
Approximate weight	89kg
Max log size	32cm
Stove collar diameter	125mm (Internal)
Flue location	Top or rear
Defra approved	No
Air wash to glass	Yes
Casing construction	Cast iron
Adjustable legs	Yes
Handle	Bakelite or optional Stainless steel
CE approved	Yes
Quality Assurance	ISO 9001:2008
Minimum chimney flue diameter required - 150mm (Internal)	

## Features

- Airwash system to glass. (Helps to prevent the build up of burnt deposits to the glass window).
- Cast iron casing construction allowing maximum heat transfer and heat retention.
- Top or rear flue outlet.
- Additional room ventilation not normally required. (subject to testing when installed by a HETAS engineer and date of building construction).
- Bakelite handle with optional stainless steel handle.
- External riddling grate.
- Large ceramic glass window allowing the fire to be enjoyed to maximum effect.
- Cleanburn technology.
- Multi fuel.
- Robust construction.
- CE approved.





# Timber effect formulated beams

Our innovative new beams have been designed and developed using specially formulated cements and aggregates. Much care has been taken to ensure our beams emulate real wood and this can be seen with our authentic finish which even includes all the typical marking you would find in an old wooden beam, including shakes, holes and end grain etc.



The realistic appearance of our beams has not been left to chance as each design has been faithfully reproduced from carefully selected timbers originating from a 300 year old Devon barn.



**Bideford - Light Oak**

A beam with simplicity and character. The warm and welcoming appeal will enhance almost any room and is sure to impress.



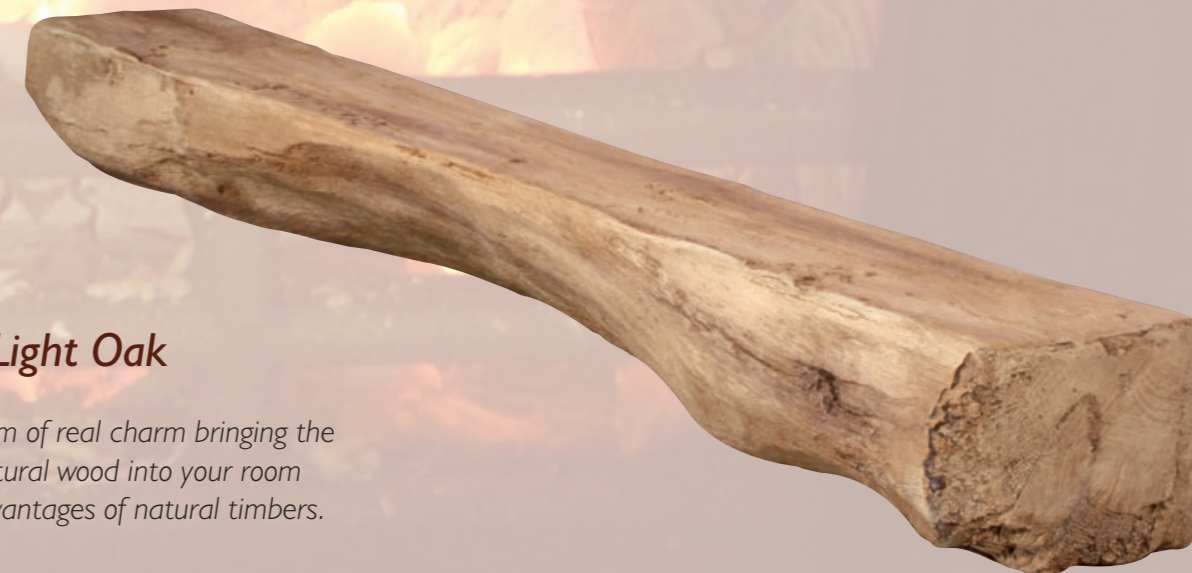
**Bideford - Dark Oak**

A beam of striking design and fine detailing is sure to win hearts, bringing most rooms to life with its natural realism and homely feel.



**Hartland - Dark Oak**

A more rugged beam with immense character and timeless appeal, sure to be a magnificent focal point to any room.



**Hartland - Light Oak**

A sensational beam of real charm bringing the appearance of natural wood into your room without the disadvantages of natural timbers.





Our beams offer many advantages over wooden beams, including being non combustible which is very important when most beams are fixed near to a heat producing appliance, also there will be no warping or twisting with each beam which can be a common problem with wood. Each beam has a guaranteed finish every time. Currently there are two beam designs to our range the

Bideford and Hartland. Both designs are available in light or dark oak finish.

The Bideford and Hartland are available in three standard lengths, 1220mm (48"), 1372mm (54") and 1524mm (60"). We are also able to offer custom made lengths subject to specification.

- Non combustible so much safer when installed near to a heat producing appliance.
- Stable in structure, no twisting or warping.
- Extreme realism.
- Integral fixing dowels provided.
- Three standard sizes.
- Made to measure lengths available subject to specification.
- Reinforced strong design.
- Guaranteed finish every time.



### Sunken beams

Our formulated beams can be set into the wall, in non load bearing situations.

www.newmanstoven.co.uk



The realistic appearance of our beams has not been left to chance as each design has been faithfully reproduced from carefully selected timbers originating from a 300 year old Devon barn.



Timber effect formulated beams





## Vista Magnifico SE

A new addition to our range designed and manufactured to our usual high standards. This superb stove has been Defra approved to enable the burning of wood in smoke controlled zones, with an impressive efficiency of 82.1%.

Aesthetically designed with pleasing clean lines and incorporating our usual large ceramic glass window, so the leaping flames and glowing logs can be enjoyed to the maximum, this stove is sure to impress.



## Specifications

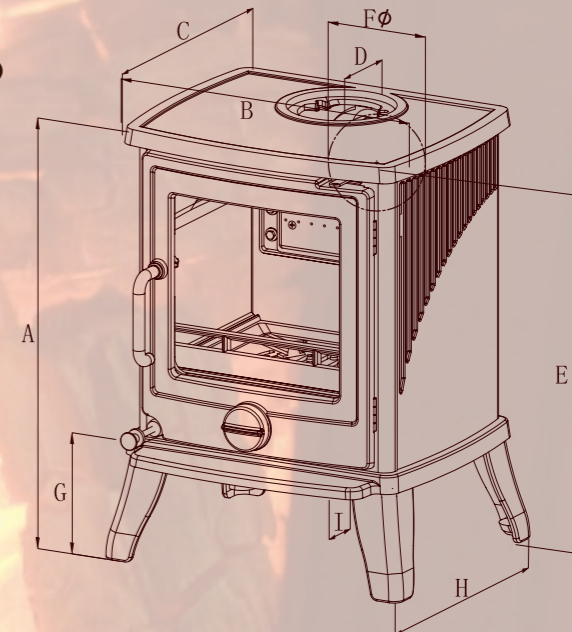
<b>Fuel</b>	Wood
<b>Nominal output</b>	4.9kw
<b>Efficiency</b>	82.1%
<b>Approximate weight</b>	89kg
<b>Max log size</b>	32cm
<b>Stove collar diameter</b>	125mm (Internal)
<b>Flue location</b>	Top or rear
<b>Defra approved</b>	Yes
<b>Air wash to glass</b>	Yes
<b>Casing construction</b>	Cast iron
<b>Adjustable legs</b>	Yes
<b>Handle</b>	Bakelite or optional Stainless steel
<b>CE approved</b>	Yes
<b>Quality Assurance</b>	ISO 9001:2008
<b>Minimum chimney flue diameter required - 125mm (Internal)</b>	

## Features

- DEFRA approved. (Permitted use in smoke controlled zones when burning logs).
- Airwash system to glass. (Helps to prevent the build up of burnt deposits to the glass window).
- Cast iron casing construction allowing maximum heat transfer and heat retention.
- Top or rear flue outlet.
- Additional room ventilation not normally required. (subject to testing when installed by a HETAS engineer and date of building construction).
- Bakelite handle with optional stainless steel handle.
- External riddling grate.
- Large ceramic glass window allowing the fire to be enjoyed to maximum effect.
- Cleanburn technology.
- CE approved.

## Size Guide

	mm
A	602
B	442
C	361
D	103
E	499
FØ	125
G	145
H	375
I	58







## Vista Perfetto SE

A new addition to our range designed and manufactured to our usual high standards. This superb stove has been Defra approved to enable the burning of wood in smoke controlled zones, with an impressive efficiency of 82.1%.

Aesthetically designed with pleasing clean lines and incorporating our usual large ceramic glass window, so the leaping flames and glowing logs can be enjoyed to the maximum, this stove is sure to impress.



## Specifications

<b>Fuel</b>	Wood
<b>Nominal output</b>	4.9kw
<b>Efficiency</b>	82.1%
<b>Approximate weight</b>	89kg
<b>Max log size</b>	32cm
<b>Stove collar diameter</b>	125mm (Internal)
<b>Flue location</b>	Top or rear
<b>Defra approved</b>	Yes
<b>Air wash to glass</b>	Yes
<b>Casing construction</b>	Cast iron
<b>Adjustable legs</b>	Yes
<b>Handle</b>	Bakelite or optional Stainless steel
<b>CE approved</b>	Yes
<b>Quality Assurance</b>	ISO 9001:2008
<b>Minimum chimney flue diameter required - 125mm (Internal)</b>	

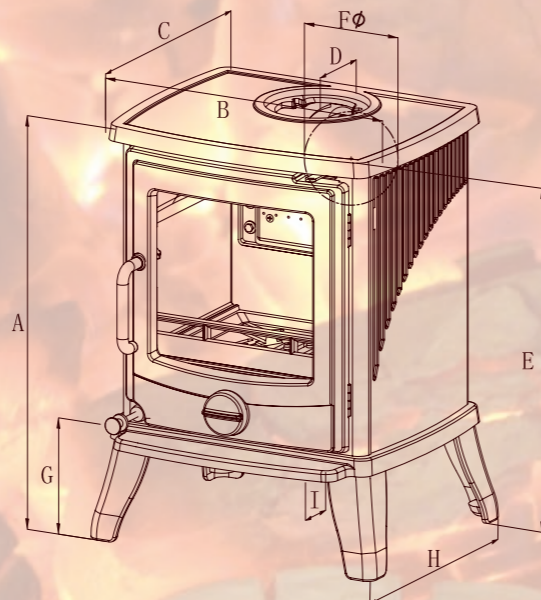
## Features

- DEFRA approved. (Permitted use in smoke controlled zones when burning logs).
- Airwash system to glass. (Helps to prevent the build up of burnt deposits to the glass window).
- Cast iron casing construction allowing maximum heat transfer and heat retention.
- Top or rear flue outlet.
- Additional room ventilation not normally required. (subject to testing when installed by a HETAS engineer and date of building construction).
- Bakelite handle with optional stainless steel handle.
- External riddling grate.
- Large ceramic glass window allowing the fire to be enjoyed to maximum effect.
- Cleanburn technology.
- CE approved.



## Size Guide

	mm
<b>A</b>	602
<b>B</b>	442
<b>C</b>	361
<b>D</b>	103
<b>E</b>	499
<b>FØ</b>	125
<b>G</b>	145
<b>H</b>	375
<b>I</b>	58







Bela Vista Gas - shown with coal effect



Alcudia 54" Fireplace shown with Bela Vista Gas - log effect

## Bela Vista Gas

The appeal and cosiness of a gas powered cast iron stove is timeless, with the advantage of heating your room efficiently and in a more environmentally friendly manor.

Cast iron has been used in the construction of stoves for many years as it is known for its excellent heat retention properties, even when the stove is switched off, it will continue to radiate heat into the room for some time.

All of our stoves are manufactured to a very high standard and each stove has been rigorously tested to achieve CE approval, therefore complying with all relevant safety and environmental issues.

Our gas stoves have been carefully designed to give the following features:

### Features

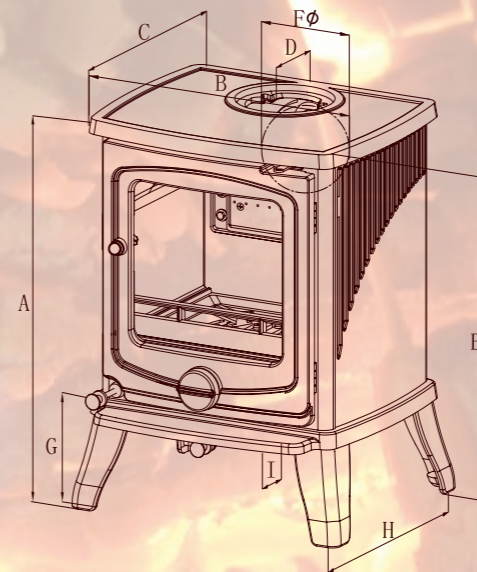
- Extensive size to glass window, therefore the beauty of the flames and integral glow can be enjoyed to their full extent.
- Choice of either log or coal fire bed.
- Choice of natural gas or LPG.
- Options of, manual control, remote control, or thermostat and timer.
- Beautiful realistic flame picture.
- Variable heat output between 1.5kw to 3.75kw. (When the stove is at operating temperature).
- Aesthetically pleasing and up to date designs.
- Ease of use.
- Efficiency.
- Robust construction.
- Adjustable legs to accommodate most uneven mounting surfaces.
- Top flue exit.
- Safety, including Atmospheric Sensing and Flame Supervision Device.
- Suitable for conventional flues, 5" flues and class 2 flues. (Subject to survey, by your Gas Safe installer).

### Specifications

Fuel	Natural gas or LPG gas
Maximum output	3.75kw
Efficiency natural gas	78.0%
Approximate weight	95kg
Stove collar diameter	125mm (Internal)
Flue location	Top
Casing construction	Cast iron
Adjustable legs	Yes
CE approved	Yes

### Size Guide

	mm
A	602
B	442
C	361
D	103
E	499
FØ	125
G	145
H	375
I	58





## Chelsea Inset Stove

This powerful gem of a stove will improve efficiencies considerably from a normal open fire that typically will only be between 5 - 25% efficient to a massive 75.7 - 78.5% efficiency.

The Chelsea Inset Stove boasts a very large top quality ceramic glass window for optimum viewing. The firebox is of generous size to allow easy loading of fuel. Constructional materials are mainly cast iron for long lasting quality with a steel convection chamber, allowing the heated air to pass effortlessly into the room.

Multi fuel use, so can burn either wood logs or smokeless fuels and have the following features:

### Use in Smoke Controlled Zone

Wood - No  
Approved Smokeless Fuel - Yes

## Features

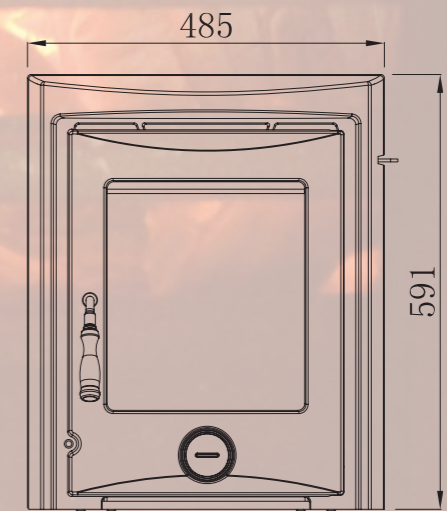
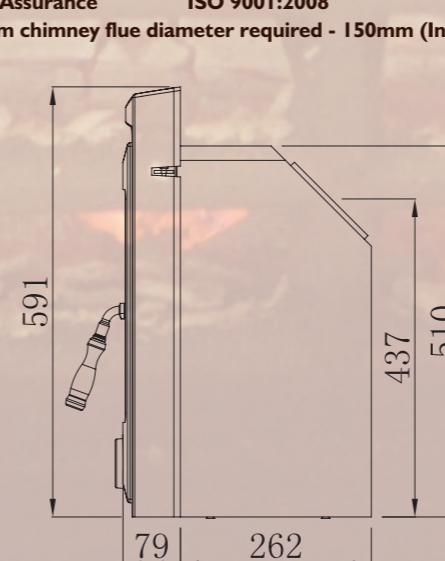
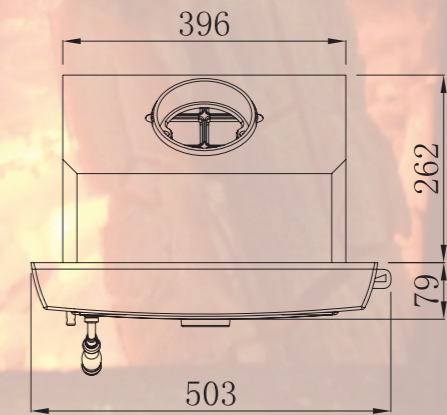
- Air wash system to glass. (Helps to prevent the build up of burnt deposits on window).
- Cast iron construction to many parts for longer life.
- Additional room ventilation not normally required. (Subject to testing when installed by a HETAS engineer and date of building construction).
- Bakelite handle
- External riddling grate control.
- Large ceramic glass window allowing the fire to be enjoyed to maximum effect.
- Cleanburn technology.
- Multi fuel.
- Robust construction.
- CE approved.



Jandia 54" Fireplace shown with Chelsea Inset Stove

## Specifications

<b>Fuel</b>	Wood or smokeless fuel
<b>Nominal output</b>	4.7kw Wood logs 5kw Ancit
<b>Efficiency wood</b>	78.5%
<b>Efficiency Ancit</b>	75.7%
<b>Approximate weight</b>	74.5kg
<b>Max log length</b>	30cm
<b>Stove collar diameter</b>	125mm (Internal)
<b>Defra approved</b>	No
<b>Air wash to glass</b>	Yes
<b>Casing construction</b>	Cast iron
<b>Handle</b>	Bakelite
<b>CE approved</b>	Yes
<b>Fire opening size</b>	Width 405 - 455mm Height 550 - 575mm
<b>Quality Assurance</b>	ISO 9001:2008
<b>Minimum chimney flue diameter required</b>	150mm (Internal)



AVAILABLE APPROXIMATELY SEPTEMBER 2013







Herringbone  
Design

Brick  
Design

# Vermiculite Chambers

Our high quality Vermiculite Panels are available in four distinctive designs. Our panels use a bulk density of  $700\text{kg/m}^3$  ensuring good compaction with a maximum heat rating temperature of  $1100^\circ\text{C}$ . Each panel is 1000mm high x 900mm wide, making it ideal for most fireplace chamber applications.



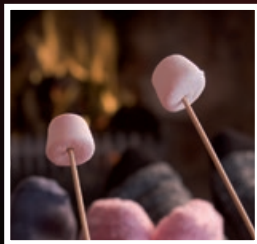
Reeded  
Design

Stone  
Design





[www.newmanstoven.co.uk](http://www.newmanstoven.co.uk)



Dealer Sticker

**STOVEN**™

